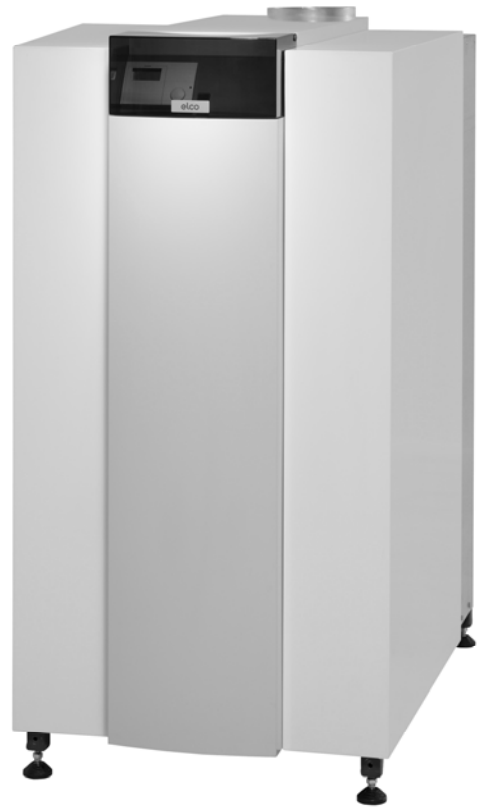


## R600 IP/ZW


**GB** **Technical documentation**  
Water heater & swimming pool boilers

**DE** **Technische Dokumentation**  
Brauchwasser- und Schwimmbadkessel

**NL** **Technische documentatie**  
Tapwater- en zwembadketel



**R600 IP/ZW**

 **Technical documentation**  
Water heater & swimming pool boilers

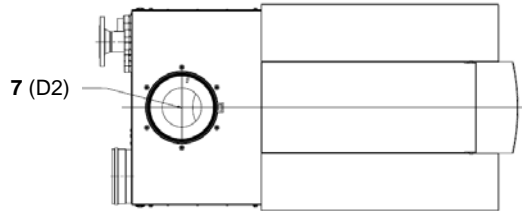
# Technical data

		R601	R602	R603	R604	R605	R606	R607	
Nominal heat output at 80-60°C max/min*	kW	142.1/23.3	190.1/39.5	237.2/39.5	285.2/39.5	380.2/76.6	475.3/76.6	539.0/76.6	
Nominal heat output at 75-60°C max/min*	kW	142.2/23.5	190.3/39.5	237.4/39.5	285.5/39.5	380.6/76.6	475.8/76.6	539.6/76.6	
Nominal heat output at 40/30°C max/min*	kW	150.7/26.7	201.6/45.2	251.4/45.1	302.3/45.2	403.1/87.7	503.9/87.7	571.5/87.7	
Nominal heat input Hi max/min*	kW	145.0/24.5	194.0/41.5	242.0/41.5	291.0/41.5	388.0/80.5	485.0/80.5	550.0/80.5	
Efficiency at 80/60°C	%	98.0							
Efficiency at 40/30°C	%	103.9							
Annual efficiency (NNG 75/60°C)	%	106.8							
Annual efficiency (NNG 40/30°C)	%	110.4							
Standstill losses (T <sub>water</sub> = 70°C)	%	0.21	0.18	0.17	0.16	0.15	0.14	0.13	
Max. condensate flow	l/h	11	15	19	22	30	37	42	
Gas consumption H-gas max/min (10,9 kWh/m <sup>3</sup> )	m <sup>3</sup> /h	13.3/2.3	17.8/3.8	22.2/3.8	26.7/3.8	35.6/7.4	44.5/7.4	50.5/7.4	
Gas consumption L-gas max/min (8,34 kWh/m <sup>3</sup> )	m <sup>3</sup> /h	17.4/2.9	23.2/5.0	29.0/5.0	34.9/5.0	46.5/9.7	58.2/9.7	66.0/9.7	
Gas consumption LL-gas max/min (8,34 kWh/m <sup>3</sup> )	m <sup>3</sup> /h	17.4/2.9	23.2/5.8	29.0/5.8	34.9/5.8	46.5/11.2	58.2/11.2	66.0/11.2	
Gas consumption LPG max/min (12,8 kWh/kg)	kg/h	11.3/1.9	15.2/3.2	18.9/3.2	22.7/3.2	30.3/6.3	37.9/6.3	43.0/6.3	
Gas pressure H-gas	mbar	20							
Gas pressure L/LL-gas	mbar	25							
Gas pressure LPG	mbar	30/50							
Maximum gas pressure	mbar	100							
Fluegas temperature at 80/60°C max/min	°C	78/61							
Fluegas temperature at 40/30°C max/min	°C	56/30							
Fluegas quantity max/min*	m <sup>3</sup> /h	238/40	318/69	397/69	477/69	636/134	795/134	901/134	
CO <sub>2</sub> level natural gas max/min	%	10.2/9.4							
CO <sub>2</sub> level LPG max/min	%	11.9/10.0							
NOx level max/min	mg/kWh	35/15							
CO level max/min	mg/kWh	14/8							
Max. permissible flue resistance max/min	Pa	160/10	160/10	200/10	200/10	200/10	250/10	250/10	
Water volume	l	27	31	35	61	68	75	82	
Water pressure max/min	bar	8/1							
Electrical connection	V	230/400							
Frequency	Hz	50							
Mains connection fuse	A	10							
IP class	-	IP20							
Power consumption boiler max/min (excl. pump)	W	158/43	200/35	230/35	260/35	470/61	650/61	770/61	
Power consumption DHW pump (optional)	W	245	340	470	470	720	1150	1550	
Power consumption DHW bypass pump	W	245	245	245	245	380	460	530	
Power consumption swimming pool pump (optional)	W	550	900	1500	1100	2200	3000	3000	
Weight (empty)	kg	295	345	400	465	535	590	650	
Noise level at 1 meter distance	dB(A)	59							
Ionisation current minimum	µA	6							
PH value condensate	-	3.2							
CE certification code	-	CE-0063BS3840							
Water connections	-	R2"				DN65 PN16			
Gas connection	-	R3/4"	R1"			R1.1/2"			
Flue gas connection	mm	150		200		250			
Air intake connection (for room sealed use)	mm	130	150			200			
Condensate connection	mm	22							

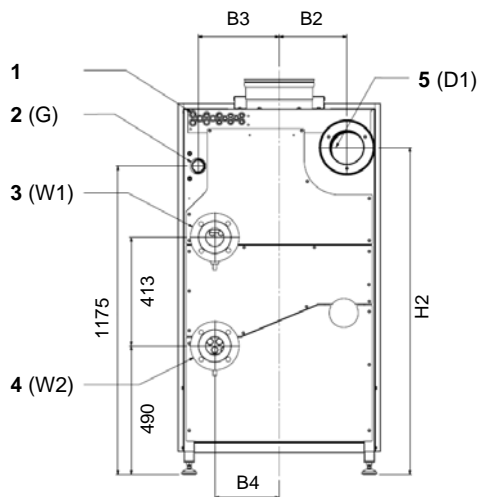
\* min load on gasses H/L/LPG. For type R602-R607 on LL-gas min value is 15% higher.

# Dimensions (water heater and swimming pool boiler)

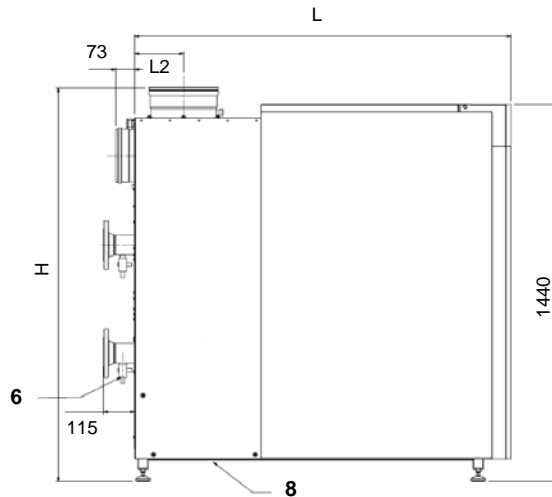
Top view



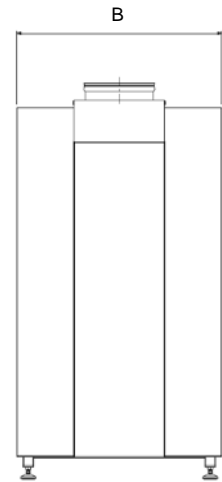
Rear view



Side view



Front view

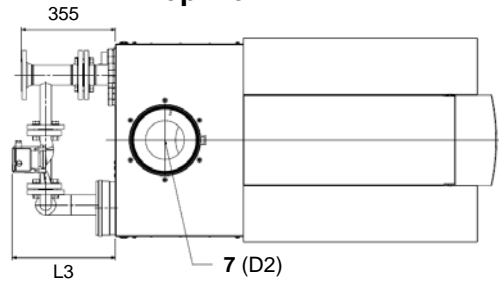


Dimensions		R601	R602	R603	R604	R605	R606	R607
L	mm	1105	1260	1470	1220	1435	1585	1735
L2	mm	127.5	127.5	137.5	137.5	187.5	187.5	187.5
H	mm	1480	1480	1500	1500	1500	1500	1500
H2	mm	1120	1130	1130	1150	1245	1245	1245
B	mm	670	670	670	770	770	770	770
B2	mm	225	235	235	235	260	260	260
B3	mm	260	260	260	310	310	310	310
B4	mm	130	130	130	245	245	245	245
D1	mm	130	150	150	150	200	200	200
D2	mm	150	150	200	200	250	250	250
W1	R" / DN	R2"	R2"	R2"	DN65 PN16			
W2	R" / DN	R2"	R2"	R2"	DN65 PN16			
G	R	R3/4"	R1"	R1"	R1"	R1 1/2"		

- 1 Electrical connections
- 2 Gas supply
- 3 Water supply
- 4 Water return
- 5 Air intake
- 6 Boiler water drain valve 1/2"
- 7 Flue gas outlet
- 8 Condensate drain flexible hose 25mm diam.

# Dimensions (bypass water heater)

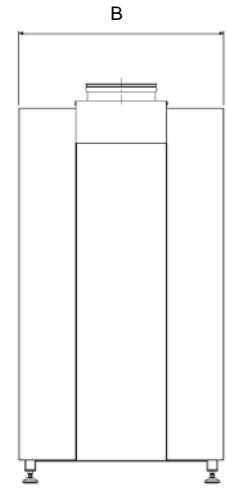
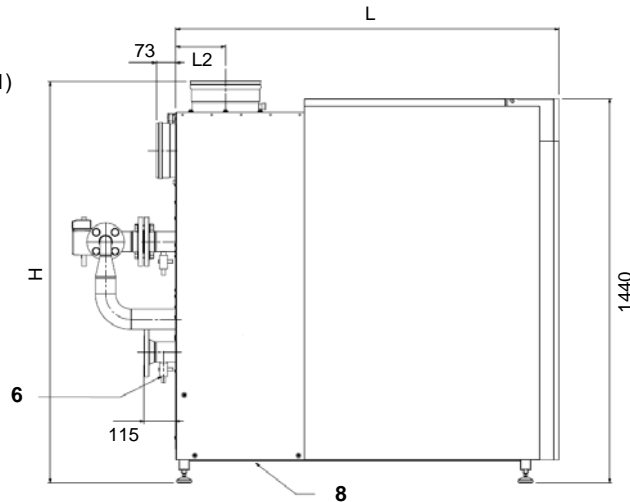
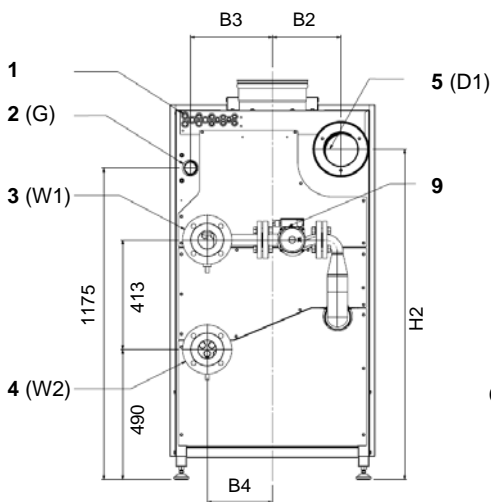
Top view



Rear view

Side view

Front view



Dimensions	R601	R602	R603	R604	R605	R606	R607
L	mm	1105	1260	1470	1220	1435	1735
L2	mm	127.5	127.5	137.5	137.5	187.5	187.5
L3	mm	425	425	425	390	390	510
H	mm	1480	1480	1500	1500	1500	1500
H2	mm	1120	1130	1130	1150	1245	1245
B	mm	670	670	670	770	770	770
B2	mm	225	235	235	235	260	260
B3	mm	260	260	260	310	310	310
B4	mm	130	130	130	245	245	245
D1	mm	130	150	150	150	200	200
D2	mm	150	150	200	200	250	250
W1	R" / DN	R2"	R2"	R2"	DN65 PN16		
W2	R" / DN	R2"	R2"	R2"	DN65 PN16		
G	R	R3/4"	R1"	R1"	R1"	R1 1/2"	

- 1 Electrical connections
- 2 Gas supply
- 3 Water supply
- 4 Water return
- 5 Air intake
- 6 Boiler water drain valve 1/2"
- 7 Flue gas outlet
- 8 Condensate drain flexible hose 25mm diam.
- 9 Bypass pump

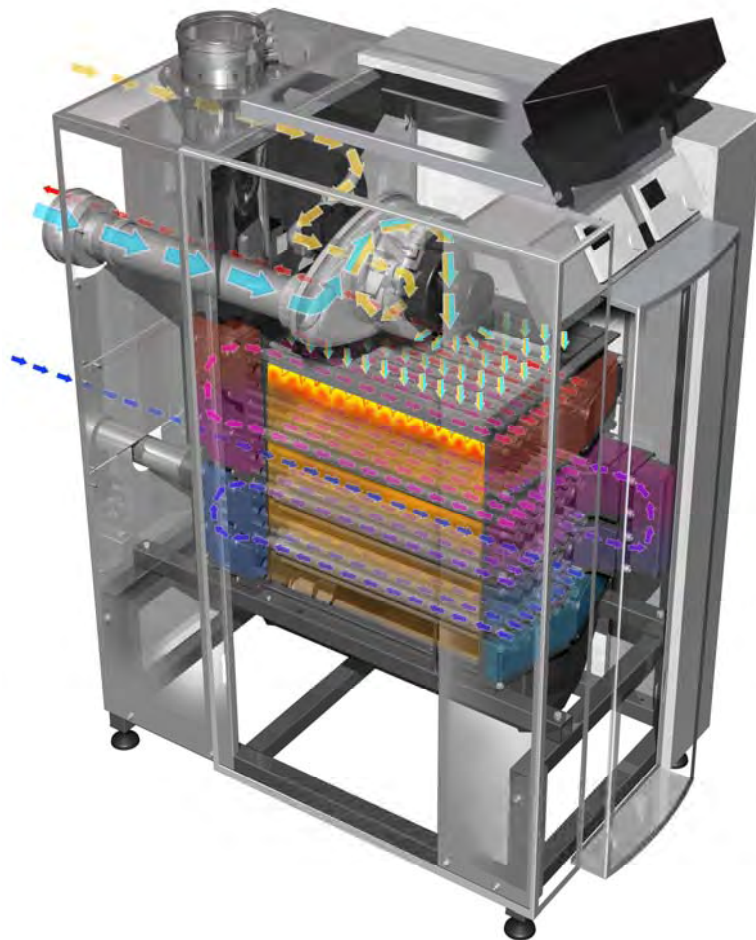
## General

This document is meant to be used in addition to the R600 heating boiler documentation, in case of having a R600 water heater or swimming pool version. This document only contains the differences in construction and application to the heating boiler version. General information on the boiler (transport, commissioning, maintenance, etc.) can be found in the heating boiler documentation.

## Technical description

The R600 water heater and swimming pool boilers are applicable for direct heating of sanitary hot water or swimming pool water without using a hydraulic separation (f.e. plate heat exchanger) in the system.

This special version of the R600 boiler series is mainly identical to the heating boiler version, except for the manifolds on the heat exchanger. These are made from stainless steel instead of cast iron, assuring the hydraulic side of the boiler being fully made of stainless steel and allowing the boiler to be flushed with the sanitary hot water or swimming pool water directly.



## Water quality

### Water heater

As a water heater is constantly flushed with fresh water, there are restrictions to the maximum flow temperature related to the hardness of the water. The following table indicates the maximum flow temperatures for different water hardness values. Not respecting these values can lead to damage of the heat exchanger.

Maximum flow temperature related to water hardness				
Water hardness		Max. setpoint (P1)	Temp. limiter setting	High limit setting
[°dH]	[°f]	[°C]	[°C]	[°C]
0 - 5	0 - 9	90	97	100
5 - 15	9 - 27	85	92	95
15 - 20	27 - 36	80	87	90
20 - 28	36 - 50	60	67	70

### Swimming pool boiler

The flow temperature of the swimming pool boiler may never exceed 57°C, in order to protect the boiler against scaling problems due to the high water volume of the swimming pool. Therefore, the high limit thermostat limits the boiler at 52°C. For comfort reasons, the maximum setpoint is limited at 36°C.

## Hot water production (water heater only)

The following table shows the sanitary hot water tapping volumes which can be achieved with an R600 water heater, based on a cold water inlet temperature of 10°C.

Hot water tapping volumes (cold water = 10°C)							
	Output	flow @50°C	flow @60°C	flow @65°C	flow @70°C	flow @80°C	flow @90°C
	[kW]	[l/min]	[l/min]	[l/min]	[l/min]	[l/min]	[l/min]
R601	142	51.1	40.8	37.1	34.0	29.2	25.5
R602	190	68.3	54.7	49.7	45.5	39.0	34.2
R603	237	85.2	68.2	62.0	56.8	48.7	42.6
R604	285	102.5	82.0	74.5	68.3	58.6	51.2
R605	380	136.6	109.3	99.4	91.1	78.1	68.3
R606	475	170.8	136.6	124.2	113.9	97.6	85.4
R607	539	193.8	155.0	141.0	129.2	110.7	96.9

## Hydraulic connection

### Water heater

The R600 water heater must be installed in such a way, that a minimum water flow rate of 30% of the nominal flow rate can be assured at all times when the burner is switched on. The R600 water heater can increase the water temperature by maximum 17K at once. This means that the water has to cycle through the boiler several times when f.e. cold water of 10°C has to be heated up to 60°C (3 times).

This is normally done by installing the R600 water heater in combination with a buffer tank. The flow rate from the tank to the water heater and back can then be secured by the (primary) water heater pump.

The table below shows the nominal water flow data at a  $\Delta T$  of 17K, plus the pump data of the (optional) pump kit for each type of water heater.

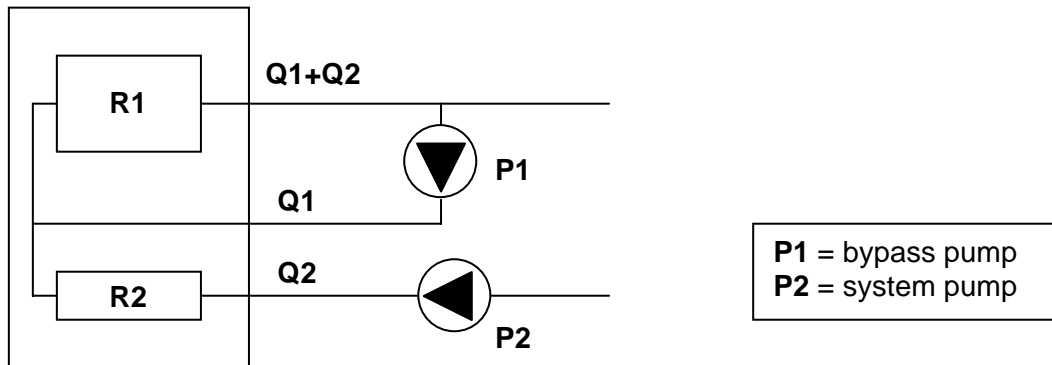
Water flow data water heater								
	$\Delta T$	Nominal flow rate	Boiler resistance	Pump type	Voltage	Curve setting	Pump head	Residual pump head
	[K]	[m <sup>3</sup> /h]	[kPa]	[-]	[V]	[-]	[kPa]	[kPa]
R601	17	7.2	14	UPS 32-80B	230	3 -	34 -	20 -
R602		9.5	25	UPS 32-120FB	230	3 2	61 30	36 5
R603		12.0	39	UPS 40-120FB	230	3 2	64 48	25 9
R604		14.4	21	UPS 40-120FB	230	3 2	50 30	29 9
R605		19.2	37	UPS 50-120FB	400	3 2	64 47	27 10
R606		24.0	58	UPS 65-120FB	400	3 -	76 -	18 -
R607		27.2	76	UPS 65-180FB	400	3 -	104 -	28 -



## Bypass water heater

When a higher temperature increase than 17K should be achieved directly within one step, this can be done by using a water heater with internal bypass. The built-in bypass pump secures a minimum flow rate through the water heater.

When using a water heater with bypass, the internal pump will not transport the hot water from the water heater to the system. Therefore a system pump should be selected, based on the desired  $\Delta T$ . Below you'll find a schematic drawing of the situation, plus two tables with all the necessary information for the selection of the system pump. Please be aware that for the calculation method an additional resistance of 10 kPa for the system piping is included.



Bypass pump data									
		R601	R602	R603	R604	R605	R606	R607	
Pump type	[-]	UPS 32-80B	UPS 32-80B	UPS 32-80B	UPS 32-80B	UPS 32-120FB	UPS 40-120FB	UPS 50-120FB	
Voltage	[V]	230	230	230	230	230	230	400	
$\Delta T = 40K$	Curve setting	[-]	2	2	3	3	1	1	
$\Delta T = 50K$			2	3	3	3	2	2	2
$\Delta T = 55K$			2	3	3	3	2	2	2
$\Delta T = 60K$			2	3	3	3	3	2	2
$\Delta T = 70K$			2	3	3	3	3	3	2
$\Delta T = 80K$			2	3	3	3	3	3	2

System pump design data									
		R601	R602	R603	R604	R605	R606	R607	
$\Delta T = 40K$	Flow rate	[m <sup>3</sup> /h]	3.1	4.1	5.1	6.1	8.2	10.2	11.6
	Required pump head	[kPa]	35.5	28.9	57.3	50.7	42.3	49.0	60.6
$\Delta T = 50K$	Flow rate	[m <sup>3</sup> /h]	2.4	3.2	4.1	4.9	6.5	8.2	9.2
	Required pump head	[kPa]	30.3	58.5	50.8	44.4	40.8	56.3	64.6
$\Delta T = 55K$	Flow rate	[m <sup>3</sup> /h]	2.2	2.9	3.7	4.4	5.9	7.4	8.4
	Required pump head	[kPa]	27.3	56.4	48.7	41.4	34.7	53.0	61.4
$\Delta T = 60K$	Flow rate	[m <sup>3</sup> /h]	2.0	2.7	3.4	4.1	5.4	6.8	7.7
	Required pump head	[kPa]	26.2	55.4	46.6	39.3	58.6	47.9	69.1
$\Delta T = 70K$	Flow rate	[m <sup>3</sup> /h]	1.7	2.3	2.9	3.5	4.7	5.8	6.6
	Required pump head	[kPa]	24.2	52.3	44.4	35.2	51.4	61.6	66.8
$\Delta T = 80K$	Flow rate	[m <sup>3</sup> /h]	1.5	2.0	2.6	3.1	4.1	5.1	5.8
	Required pump head	[kPa]	22.1	50.2	40.3	30.2	45.3	53.5	65.6

## Swimming pool boiler

The R600 swimming pool boiler should be installed in parallel with the main water flow, going back from the filtering installation to the swimming pool. The swimming pool boiler can increase the water temperature by maximum 15K at once.

As a swimming pool installation is an open system, with hardly any static pressure, it's necessary to create a pressure of at least 0,5 bar in the boiler by installing a regulation valve in the flow connection of the boiler.

The table below shows the nominal water flow data at a  $\Delta T$  of 15K, plus the pump data of the (optional) pump kit for each type of swimming pool boiler.

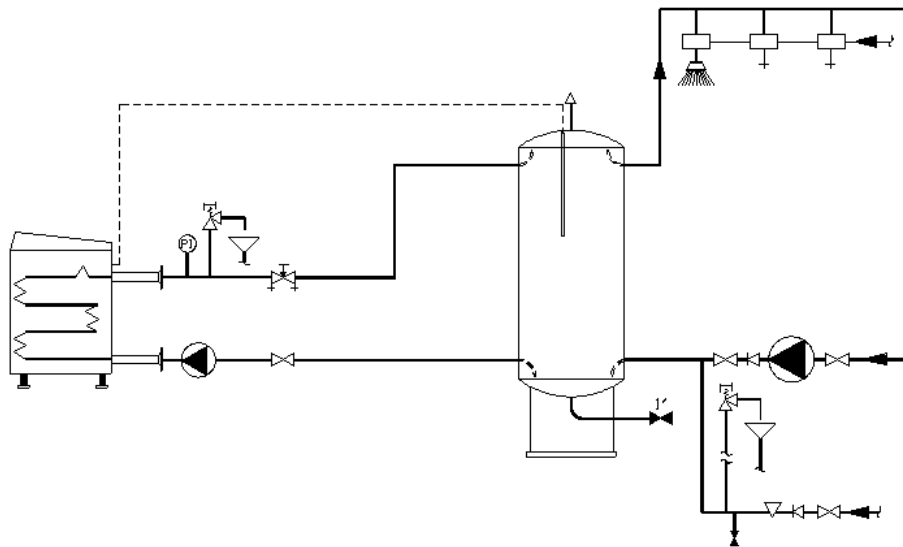
Water flow data swimming pool boiler								
	$\Delta T$	Nominal flow rate	Boiler resistance	Req. static pressure	Pump type	Voltage	Pump head	Residual pump head
	[K]	[m <sup>3</sup> /h]	[kPa]	[kPa]	[-]	[V]	[kPa]	[kPa]
R601	15	8.1	18	50	COM350/05	230	90	22
R602		10.8	32	50	COM350/09	230	110	28
R603		13.6	50	50	COM350/15	230	145	45
R604		16.3	27	50	COM350/11	230	102	25
R605		21.7	48	50	CO500/22	400	140	42
R606		27.2	75	50	CO500/30	400	161	36
R607		30.8	98	50	CO500/30	400	151	3

## System examples

The following examples are only meant to give an indication of the possibilities available with the R600 water heater and swimming pool boilers. These examples can not be used in a project without any further analysis of the project situation by an authorized company.

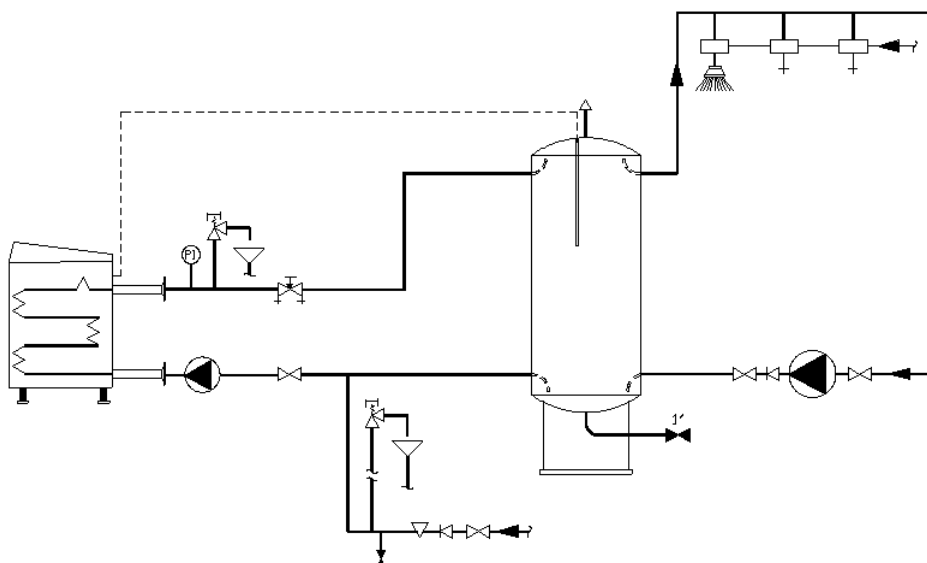
### System 1: water heater with buffer tank (1)

Water heater connected to a buffer tank, with the cold water feed connected to the return connection of the buffer tank. This is the most common way to connect a water heater. Having the cold water feed on the return connection of the tank results in less start/stop sequences of the water heater and creates a stable temperature control in a normal hot water installation.



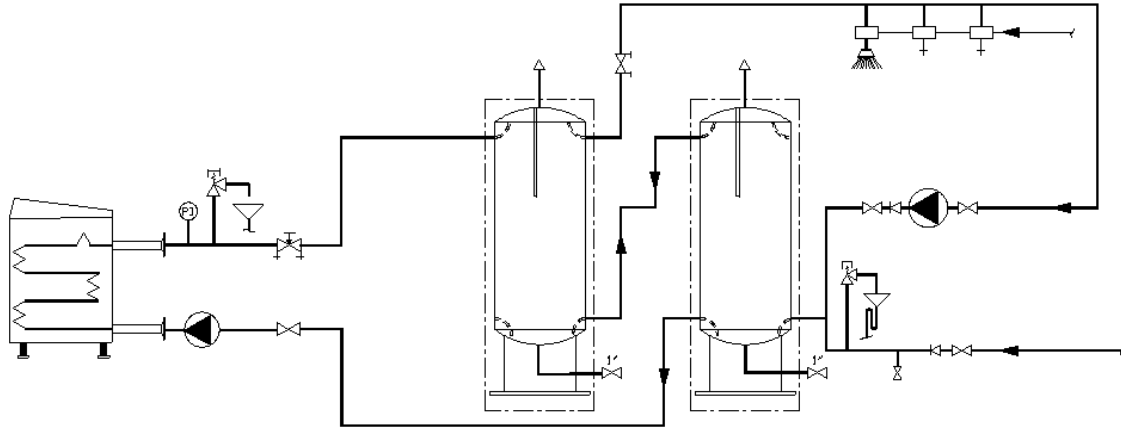
### System 2: water heater with buffer tank (2)

Water heater connected to a buffer tank, with the cold water feed connected to the return connection of the water heater. This system is only applicable when there's a constant hot water demand of hot water, peak loads can cause a high number of start and stop sequences.



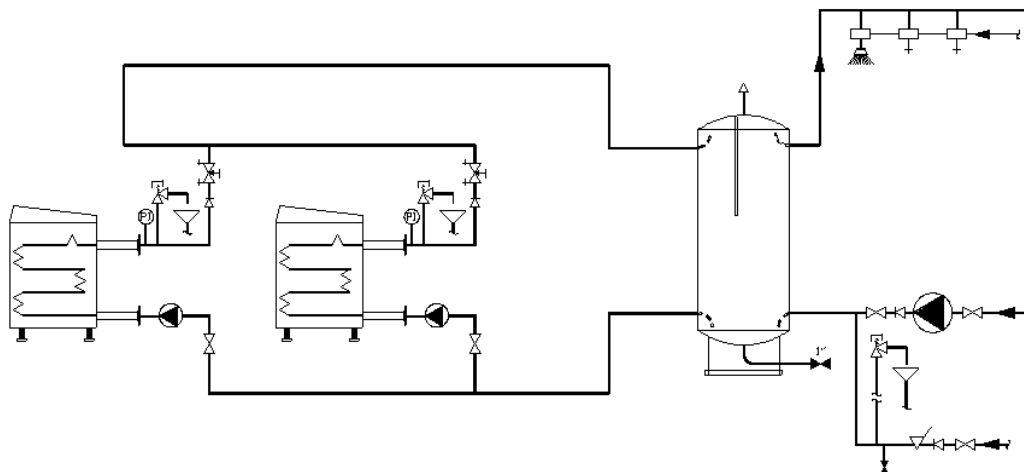
### System 3: water heater with big buffer tank

When having temporary peak demand, it's useful to have a big buffer tank (or multiple smaller tanks in series) in combination with a small water heater capacity. The capacity of the water heater is determined by the maximum loading time of the buffer tank.



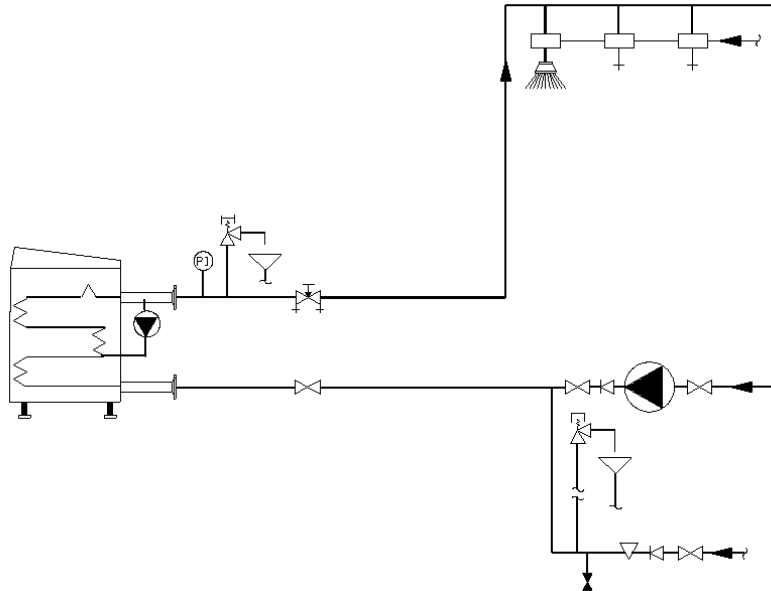
### System 4: water heater cascade

When having a constant high demand of hot water, it's useful to install a high capacity water heater (or even a cascade of multiple water heaters) in combination with a small buffer tank. The Buffer tank is only covering the starting delay of the boilers, after that the boilers completely cover the hot water demand constantly.



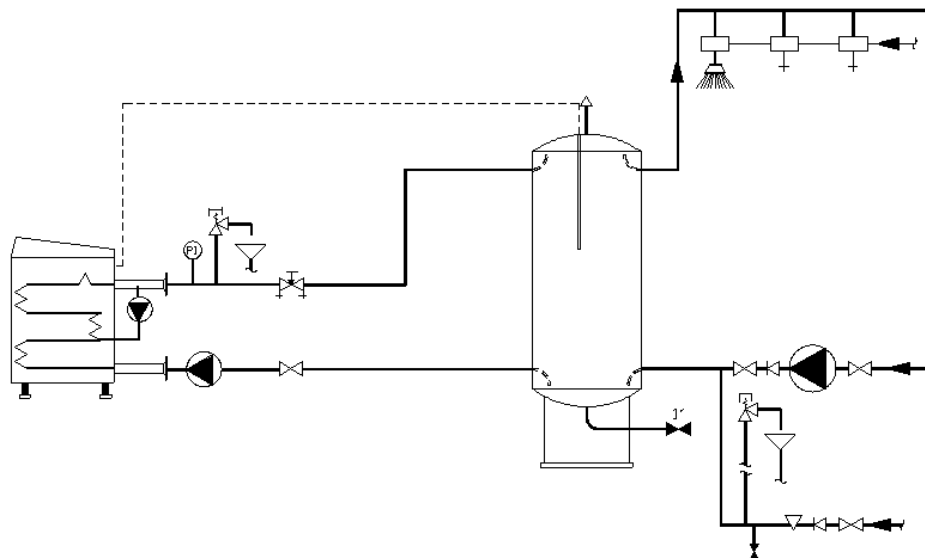
### System 5: bypass water heater

This system is mainly used in industrial processes with a constant demand of hot water. The bypass water heater can be used without a buffer tank, as the internal bypass covers the minimum flow rate through the water heater. The Bypass water heater can heat up the hot water with higher  $\Delta T$  than the R600 standard water heater ( $\Delta T = 17K$ ). The chapter "Hydraulic connection" describes the flow rates with the different  $\Delta T$  values.



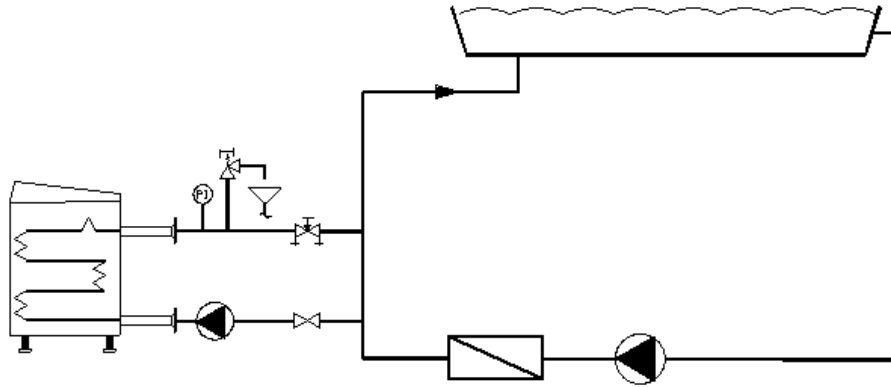
### System 6: bypass water heater with buffer tank

This system is mainly used in industrial processes, where there is a requirement for direct increase of the water temperature with more than 17K, without having a constant demand. Without the buffer tank the bypass water heater would generate many starts and stops and have a restive regulation.



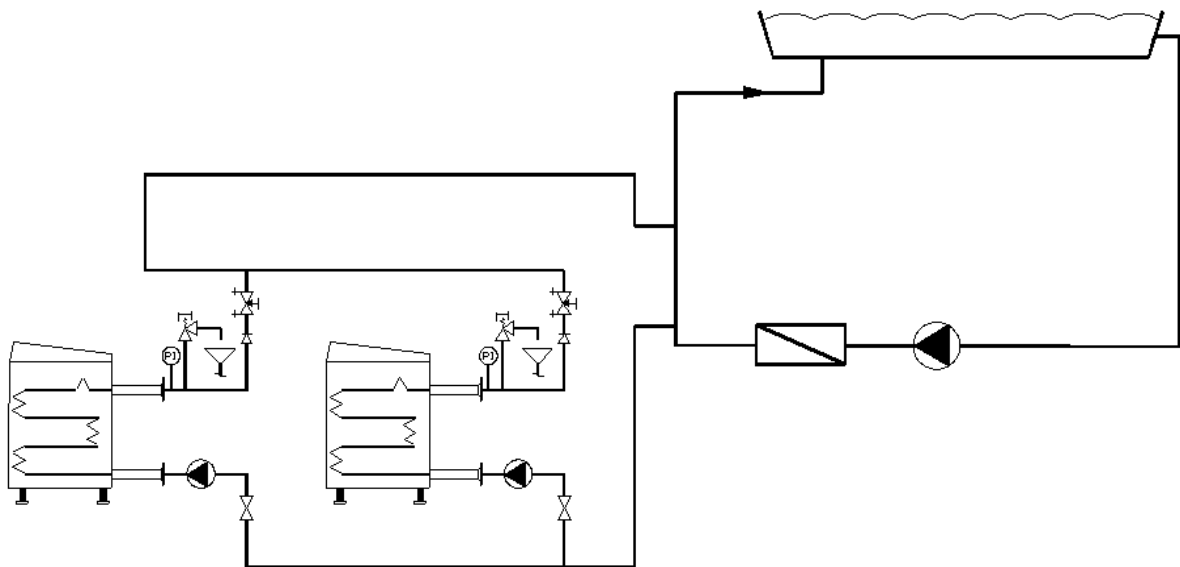
System 7: swimming pool boiler

The swimming pool boiler is installed in parallel with the swimming pool circulation loop, after the filtering installation. The swimming pool boiler only heats up a partial flow, which is mixed in the main loop to the swimming pool.



System 8: swimming pool boiler cascade

In this situation the swimming pool boilers are connected in parallel to the circulation loop as well. It's important to connect the boilers in such a way, that both boilers are flushed with an equal water flow rate. This can be done with a regulation valve or by connecting the boilers in reversed return.



## Accessories

For the R600 water heater and swimming pool boilers the following accessories are available:

### Water heater:

- Accessory kit with pump and stainless steel flanges, safety valve and manometer.

Connection sizes components							
	R601	R602	R603	R604	R605	R606	R607
Safety valve	Rp 1.1/4"						
Manometer	R 1/4"						
Pump	G2"	DN32	DN40	DN40	DN50	DN65	DN65
Flanges	-	1.1/4"	1.1/2"	1.1/2"	2"	2.1/2"	2.1/2"

### Bypass water heater:

- Accessory kit with safety valve and manometer.

Connection sizes components							
	R601	R602	R603	R604	R605	R606	R607
Safety valve	Rp 1.1/4"						
Manometer	R 1/4"						

### Swimming pool boiler:

- Accessory kit with pump, safety valve and manometer.

Connection sizes components							
	R601	R602	R603	R604	R605	R606	R607
Safety valve	Rp 1.1/4"			Rp 1.1/2"			
Manometer	R 1/4"						
Pump in	Rp 1.1/2"				Rp 2"		
Pump out	Rp 1.1/4"				Rp 1.1/2"		

Consult your supplier for more information on the available accessories.

**R600 IP/ZW**



**Technische Dokumentation**  
Brauchwasser- und Schwimmbadkessel



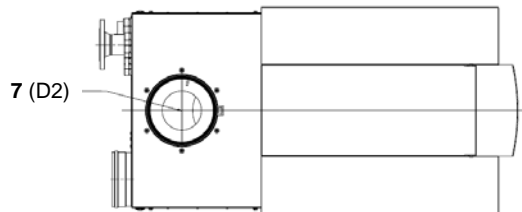
# Technische Daten

		R601	R602	R603	R604	R605	R606	R607	
Nennwärmeleistung 80-60°C max/min*	kW	142.1/23.3	190.1/39.5	237.2/39.5	285.2/39.5	380.2/76.6	475.3/76.6	539.0/76.6	
Nennwärmeleistung 75-60°C max/min*	kW	142.2/23.5	190.3/39.5	237.4/39.5	285.5/39.5	380.6/76.6	475.8/76.6	539.6/76.6	
Nennwärmeleistung 40/30°C max/min*	kW	150.7/26.7	201.6/45.2	251.4/45.1	302.3/45.2	403.1/87.7	503.9/87.7	571.5/87.7	
Feuerungswärmeleistung max/min*	kW	145.0/24.5	194.0/41.5	242.0/41.5	291.0/41.5	388.0/80.5	485.0/80.5	550.0/80.5	
Wirkungsgrad 80/60°C	%	98.0							
Wirkungsgrad 40/30°C	%	103.9							
Normnutzungsgrad 75/60°C	%	106.8							
Normnutzungsgrad 40/30°C	%	110.4							
Bereitschaftsverluste (T <sub>wasser</sub> = 70°C)	%	0.21	0.18	0.17	0.16	0.15	0.14	0.13	
Max. anfallendes Kondensat	l/h	11	15	19	22	30	37	42	
Gasverbrauch H-Gas max/min (10,9 kWh/m <sup>3</sup> )	m <sup>3</sup> /h	13.3/2.3	17.8/3.8	22.2/3.8	26.7/3.8	35.6/7.4	44.5/7.4	50.5/7.4	
Gasverbrauch L-Gas max/min (8,34 kWh/m <sup>3</sup> )	m <sup>3</sup> /h	17.4/2.9	23.2/5.0	29.0/5.0	34.9/5.0	46.5/9.7	58.2/9.7	66.0/9.7	
Gasverbrauch LL-Gas max/min (8,34 kWh/m <sup>3</sup> )	m <sup>3</sup> /h	17.4/2.9	23.2/5.8	29.0/5.8	34.9/5.8	46.5/11.2	58.2/11.2	66.0/11.2	
Gasverbrauch F-Gas max/min (12,8 kWh/kg)	kg/h	11.3/1.9	15.2/3.2	18.9/3.2	22.7/3.2	30.3/6.3	37.9/6.3	43.0/6.3	
Gasdruck H-Gas	mbar	20							
Gasdruck L/LL-Gas	mbar	25							
Gasdruck F-Gas	mbar	30/50							
Maximaler Gasdruck	mbar	100							
Abgastemperaturen bei 80/60°C max/min	°C	78/61							
Abgastemperaturen bei 40/30°C max/min	°C	56/30							
Abgas Durchsatz max/min*	m <sup>3</sup> /h	238/40	318/69	397/69	477/69	636/134	795/134	901/134	
CO <sub>2</sub> Wert Erdgas max/min	%	10.2/9.4							
CO <sub>2</sub> Wert Flüssiggas max/min	%	11.9/10.0							
NO <sub>x</sub> Wert max/min	mg/kWh	35/15							
CO Wert max/min	mg/kWh	14/8							
Förderdruck des Gebläses max/min	Pa	160/10	160/10	200/10	200/10	200/10	250/10	250/10	
Wasser Inhalt	l	27	31	35	61	68	75	82	
Wasserdruck max/min	bar	8/1							
Elektrischer Anschluss	V	230/400							
Frequenz	Hz	50							
Elek. Absicherung	A	10							
IP Klasse	-	IP20							
El. Leistungsaufn. Kessel max/min (o. Pumpe)	W	158/43	200/35	230/35	260/35	470/61	650/61	770/61	
El. Leistungsaufn. Brauchwasser Pumpe (optional)	W	245	340	470	470	720	1150	1550	
El. Leistungsaufn. Brauchwasser Bypasspumpe	W	245	245	245	245	380	460	530	
El. Leistungsaufn. Schwimmbad Pumpe (optional)	W	550	900	1500	1100	2200	3000	3000	
Gewicht (leer)	kg	295	345	400	465	535	590	650	
Schallpegel in 1m Abstand	dB(A)	59							
Min. Ionisationsstrom	µA	6							
PH Wert des Kondesates	-	3.2							
CE Nr.	-	CE-0063BS3840							
Wasser Anschlüsse	-	R2"				DN65 PN16			
Gas Anschluss	-	R3/4"	R1"			R1.1/2"			
Abgas Anschluss	mm	150		200		250			
Zuluft Anschluss (raumlufunabhängig)	mm	130	150			200			
Kondensat Anschluss	mm	22							

\* Min. Belastung für H/L/F-Gas. Für Typen R602-R607 mit LL-Gas ist die min. Belastung 15% höher.

# Abmessungen (Brauchwasser- und Schwimmbadkessel)

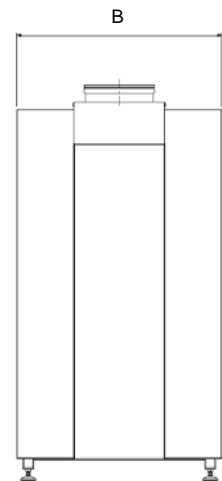
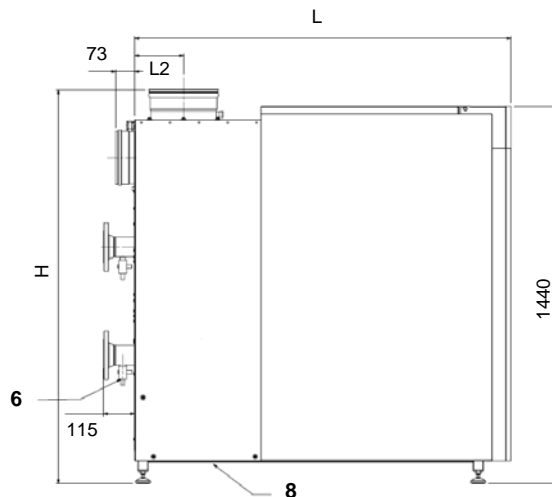
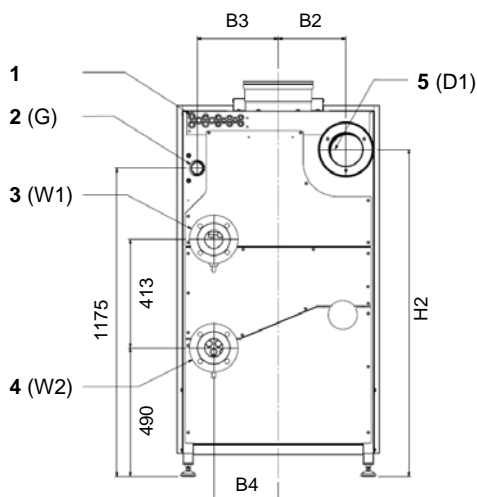
**Draufsicht**



**Ansicht Rückseite**

**Seitenansicht**

**Ansicht Vorderseite**

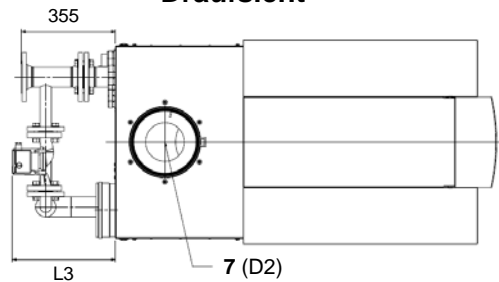


Abmessungen		R601	R602	R603	R604	R605	R606	R607
<b>L</b>	mm	1105	1260	1470	1220	1435	1585	1735
<b>L2</b>	mm	127.5	127.5	137.5	137.5	187.5	187.5	187.5
<b>H</b>	mm	1480	1480	1500	1500	1500	1500	1500
<b>H2</b>	mm	1120	1130	1130	1150	1245	1245	1245
<b>B</b>	mm	670	670	670	770	770	770	770
<b>B2</b>	mm	225	235	235	235	260	260	260
<b>B3</b>	mm	260	260	260	310	310	310	310
<b>B4</b>	mm	130	130	130	245	245	245	245
<b>D1</b>	mm	130	150	150	150	200	200	200
<b>D2</b>	mm	150	150	200	200	250	250	250
<b>W1</b>	R" / DN	R2"	R2"	R2"	DN65 PN16			
<b>W2</b>	R" / DN	R2"	R2"	R2"	DN65 PN16			
<b>G</b>	R	R3/4"	R1"	R1"	R1"	R1 1/2"		

- 1 Elektrische Anschlüsse
- 2 Gas Anschluss
- 3 Wasser Vorlaufanschluss
- 4 Wasser Rücklaufanschluss
- 5 Zuluft Anschluss
- 6 Füll/Entleerhahn 1/2"
- 7 Abgas Anschluss
- 8 Kondensat Anschluss  
Schlauch 25mm durchm.

# Abmessungen (Brauchwasser Bypasskessel)

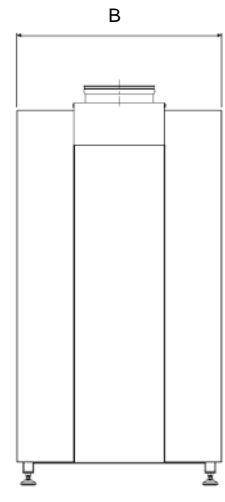
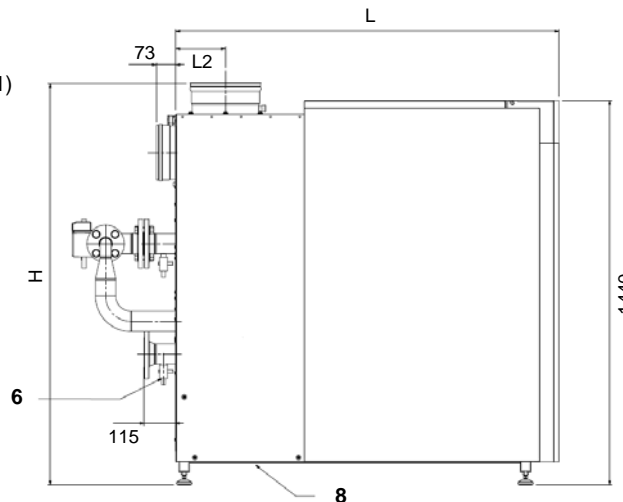
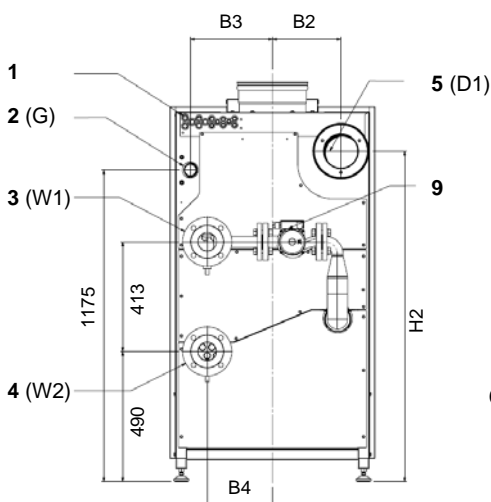
**Draufsicht**



**Ansicht Rückseite**

**Seitenansicht**

**Ansicht Vorderseite**



Abmessungen	R601	R602	R603	R604	R605	R606	R607	
L	mm	1105	1260	1470	1220	1435	1585	1735
L2	mm	127.5	127.5	137.5	137.5	187.5	187.5	187.5
L3	mm	425	425	425	390	390	510	510
H	mm	1480	1480	1500	1500	1500	1500	1500
H2	mm	1120	1130	1130	1150	1245	1245	1245
B	mm	670	670	670	770	770	770	770
B2	mm	225	235	235	235	260	260	260
B3	mm	260	260	260	310	310	310	310
B4	mm	130	130	130	245	245	245	245
D1	mm	130	150	150	150	200	200	200
D2	mm	150	150	200	200	250	250	250
W1	R" / DN	R2"	R2"	R2"	DN65 PN16			
W2	R" / DN	R2"	R2"	R2"	DN65 PN16			
G	R	R3/4"	R1"	R1"	R1"	R1 1/2"		

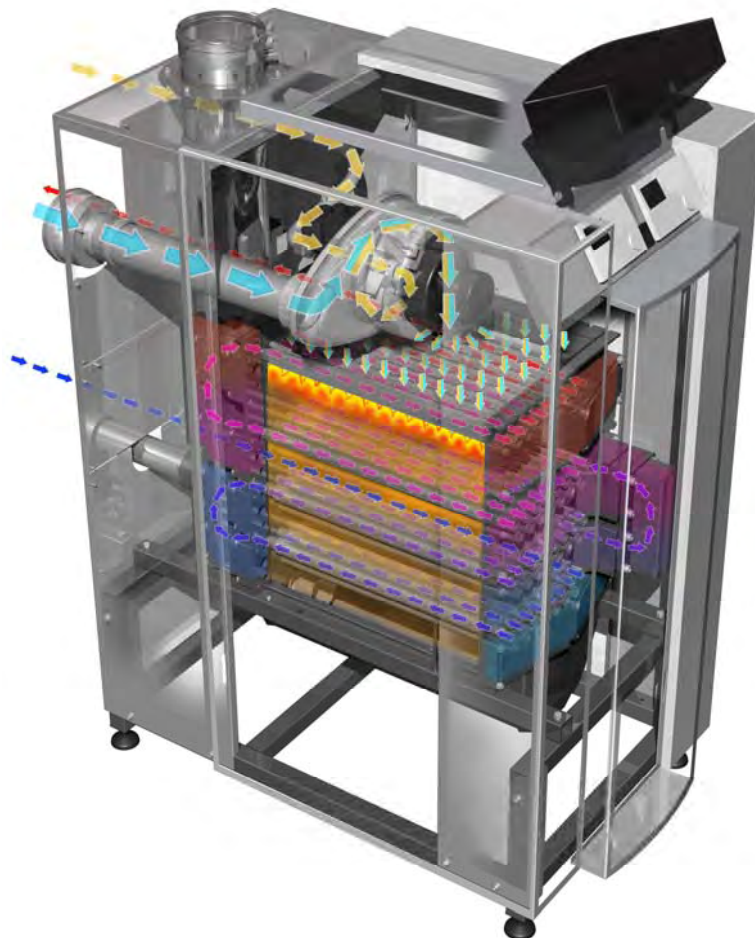
- 1 Elektrische Anschlüsse
- 2 Gas Anschluss
- 3 Wasser Vorlaufanschluss
- 4 Wasser Rücklaufanschluss
- 5 Zuluft Anschluss
- 6 Füll/Entleerhahn 1/2"
- 7 Abgas Anschluss
- 8 Kondensat Anschluss
- 9 Bypasspumpe

## Allgemein

Diese Unterlagen sind geschrieben als Zusatzinformation zu der R600 Basisdokumentation, im Fall es einen Brauchwasser- oder Schwimmbadkessel betrifft. Dieses Dokument beschreibt nur die Differenzen in Konstruktion und Anwendung im Vergleich zu dem R600 Heizkessel. Allgemeine Informationen (Transport, Inbetriebnahme, Wartung, usw.) sind in der Basisdokumentation des R600 Heizkessels zu finden.

## Technische Beschreibung

Die R600 Brauchwasser- und Schwimmbadkessel sind für direkte Erwärmung des Trinkwassers/Schwimmbadwassers geeignet, und können daher ohne Anwendung einer Systemtrennung (z.B. Plattenwärmetauscher) im System verwendet werden. Diese Sonderausführung der R600 Baureihe ist fast identisch zu dem R600 Heizkessel, ausser die Wasserverteilstücke des Wärmetauschers. Diese sind gefertigt aus Edelstahl statt Gusseisen. Hiermit ist der Brauchwasser-/Schwimmbadkessel wasserseitig völlig aus Edelstahl aufgebaut, und erlaubt eine direkte Durchströmung des Trinkwassers/Schwimmbadwassers.



# Wasserqualität

## Brauchwasserkessel

Weil ein Brauchwasserkessel dauernd mit frischem Wasser durchspült wird, gibt es klare Einschränkungen der Vorlauftemperatur in Kombination mit der Wasserhärte. Die folgende Tabelle zeigt die maximale Vorlauftemperatur bei unterschiedliche Wasserqualität. Nicht einhalten dieser Vorschriften kann zu Schaden des Kesselblocks führen.

Maximale Vorlauftemperatur in Relation zur Wasserhärte				
Wasserhärte		Max. Sollwert (P1)	STW Einstellung	STB Einstellung
[°dH]	[°f]	[°C]	[°C]	[°C]
0 - 5	0 - 9	90	97	100
5 - 15	9 - 27	85	92	95
15 - 20	27 - 36	80	87	90
20 - 28	36 - 50	60	67	70

## Swimmbadkessel

Die Vorlauftemperatur eines Schwimmbadkessels darf 57°C nicht überschreiten, um den Kessel zu schützen gegen Kalkablagerung durch das grossen Wasservolumen vom Schwimmbad. Aus Sicherheitsgründen ist die STB Einstellung des Schwimmbadkessels auf 52°C programmiert, die maximale Sollwert ist aus Komfortgrund auf 36°C eingestellt.

## Brauchwasserleistung (nur für Brauchwasserkessel)

Die folgende Tabelle zeigt pro Kesseltyp das maximale Brauchwasservolumen bei den unterschiedlichen Vorlauftemperaturen. Die Volumen sind berechnet mit einem Kaltwassertemperatur von 10°C.

Brauchwasservolumen (kalt Wasser = 10°C)							
	Leistung	Vorlauf @50°C	Vorlauf @60°C	Vorlauf @65°C	Vorlauf @70°C	Vorlauf @80°C	Vorlauf @90°C
	[kW]	[l/min]	[l/min]	[l/min]	[l/min]	[l/min]	[l/min]
R601	142	51.1	40.8	37.1	34.0	29.2	25.5
R602	190	68.3	54.7	49.7	45.5	39.0	34.2
R603	237	85.2	68.2	62.0	56.8	48.7	42.6
R604	285	102.5	82.0	74.5	68.3	58.6	51.2
R605	380	136.6	109.3	99.4	91.1	78.1	68.3
R606	475	170.8	136.6	124.2	113.9	97.6	85.4
R607	539	193.8	155.0	141.0	129.2	110.7	96.9

# Hydraulische Einbindung

## Brauchwasserkessel

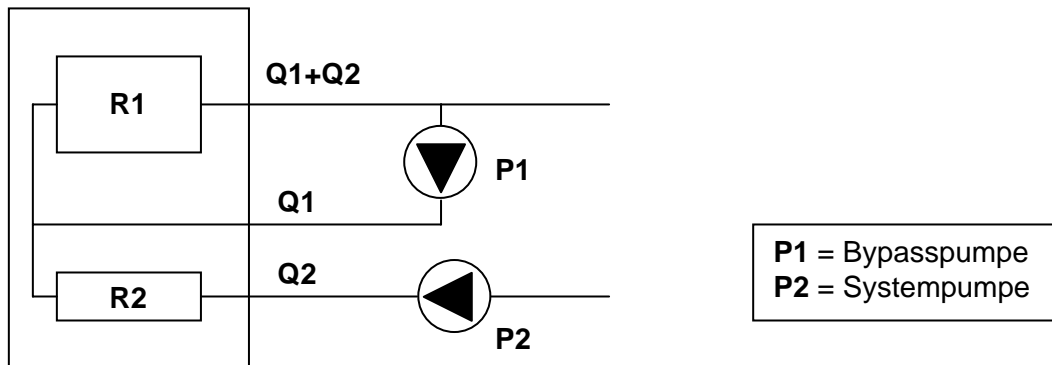
Der R600 Brauchwasserkessel soll derartig in einem System eingebunden werden, dass einen minimalen Volumenstrom von 30% der Nennvolumenstrom immer gewährleistet werden kann wenn der Brenner eingeschaltet ist. Der R600 Brauchwasserkessel kann eine Temperaturerhöhung von 17K pro Durchgang erzielen. Dies bedeutet, dass für Erwärmung des Wassers von 10°C auf 60°C mehrere Durchgänge (3 mal) notwendig sind. Dies wird normalerweise erzielt durch Anwendung eines Pufferspeichers. Der Volumenstrom zwischen Kessel und Speicher wird von der Kesselkreispumpe sichergestellt. Die Tabelle zeigt die nominale Volumenstromdaten bei einem  $\Delta T$  von 17K, und dazu die Daten des optional erhältliches Pumpensets.

Daten hydraulische Einbindung Brauchwasserkessel								
	$\Delta T$	Nominale volumen- strom	Kessel- widerstand	Pumpentyp	Span- nung	Kurve Einst.	Forder- höhe	Restforder- höhe
	[K]	[m <sup>3</sup> /h]	[kPa]	[-]	[V]	[-]	[kPa]	[kPa]
R601	17	7.2	14	UPS 32-80B	230	3 -	34 -	20 -
R602		9.5	25	UPS 32-120FB	230	3 2	61 30	36 5
R603		12.0	39	UPS 40-120FB	230	3 2	64 48	25 9
R604		14.4	21	UPS 40-120FB	230	3 2	50 30	29 9
R605		19.2	37	UPS 50-120FB	400	3 2	64 47	27 10
R606		24.0	58	UPS 65-120FB	400	3 -	76 -	18 -
R607		27.2	76	UPS 65-180FB	400	3 -	104 -	28 -

## Bypasskessel

Wenn eine Temperaturerhöhung von mehr als 17K in einem Schritt gefordert wird, kann dies mittels einen Brauchwasserkessel mit integriertem Bypass erzielt werden. Die integrierte Bypasspumpe gewährleistet die minimale Volumenstrom durch den Kessel.

Bei Anwendung eines Bypasskessels ist die integrierte Bypasspumpe keine Transportpumpe. Das Transport des Wassers vom Kessel bis im System soll durch Anwendung einer externe Systempumpe geschehen. Diese Systempumpe muss dimensioniert werden auf Grund der gewünschte  $\Delta T$ . Hierunter finden Sie eine Prinzipzeichnung und zwei Tabellen mit allen benötigten Informationen zum dimensionieren der Systempumpe. In den Tabellen ist mit einem Zusatzwiderstand von 10kPa für das System gerechnet.



Bypasspumpe Daten									
		R601	R602	R603	R604	R605	R606	R607	
Pumpentyp	[-]	UPS 32-80B	UPS 32-80B	UPS 32-80B	UPS 32-80B	UPS 32-120FB	UPS 40-120FB	UPS 50-120FB	
Spannung	[V]	230	230	230	230	230	230	400	
$\Delta T = 40K$	Kurve Einstellung	[-]	2	2	3	3	1	1	
$\Delta T = 50K$			2	3	3	3	2	2	2
$\Delta T = 55K$			2	3	3	3	2	2	2
$\Delta T = 60K$			2	3	3	3	3	2	2
$\Delta T = 70K$			2	3	3	3	3	3	2
$\Delta T = 80K$			2	3	3	3	3	3	2

Systempumpe Dimensionierungsdaten									
		R601	R602	R603	R604	R605	R606	R607	
$\Delta T = 40K$	Volumenstrom	[m <sup>3</sup> /h]	3.1	4.1	5.1	6.1	8.2	10.2	11.6
	Benötigte Förderhöhe	[kPa]	35.5	28.9	57.3	50.7	42.3	49.0	60.6
$\Delta T = 50K$	Volumenstrom	[m <sup>3</sup> /h]	2.4	3.2	4.1	4.9	6.5	8.2	9.2
	Benötigte Förderhöhe	[kPa]	30.3	58.5	50.8	44.4	40.8	56.3	64.6
$\Delta T = 55K$	Volumenstrom	[m <sup>3</sup> /h]	2.2	2.9	3.7	4.4	5.9	7.4	8.4
	Benötigte Förderhöhe	[kPa]	27.3	56.4	48.7	41.4	34.7	53.0	61.4
$\Delta T = 60K$	Volumenstrom	[m <sup>3</sup> /h]	2.0	2.7	3.4	4.1	5.4	6.8	7.7
	Benötigte Förderhöhe	[kPa]	26.2	55.4	46.6	39.3	58.6	47.9	69.1
$\Delta T = 70K$	Volumenstrom	[m <sup>3</sup> /h]	1.7	2.3	2.9	3.5	4.7	5.8	6.6
	Benötigte Förderhöhe	[kPa]	24.2	52.3	44.4	35.2	51.4	61.6	66.8
$\Delta T = 80K$	Volumenstrom	[m <sup>3</sup> /h]	1.5	2.0	2.6	3.1	4.1	5.1	5.8
	Benötigte Förderhöhe	[kPa]	22.1	50.2	40.3	30.2	45.3	53.5	65.6

## Schwimmbadkessel

Der R600 Schwimmbadkessel soll parallel am Schwimmbadsystem installiert werden, im Leitungsteil nach der Filtrierung zum Schwimmbad. Der R600 Schwimmbadkessel kann eine Temperaturerhöhung von 15K pro Durchgang erzielen.

Weil ein Schwimmbad ein offenes System ist mit einem statischen Wasserdruck gleich an der atmosphärischen Druck, muss ein Regelventil im Vorlauf des Kessels montiert werden, um so einen Mindestdruck im System von 0,5 bar zu erreichen.

Die Tabelle zeigt die nominale Volumenstromdaten bei einem  $\Delta T$  von 15K, und dazu die Daten des optional erhältliches Pumpensets.

Daten hydraulische Einbindung Schwimmbadkessel								
	$\Delta T$	Nominale volumen- strom	Kessel- widerstand	Benötigter Wasser- druck	Pumpentyp	Span- nung	Forder- höhe	Restforder- höhe
	[K]	[m <sup>3</sup> /h]	[kPa]	[kPa]	[-]	[V]	[kPa]	[kPa]
R601	15	8.1	18	50	COM350/05	230	90	22
R602		10.8	32	50	COM350/09	230	110	28
R603		13.6	50	50	COM350/15	230	145	45
R604		16.3	27	50	COM350/11	230	102	25
R605		21.7	48	50	CO500/22	400	140	42
R606		27.2	75	50	CO500/30	400	161	36
R607		30.8	98	50	CO500/30	400	151	3

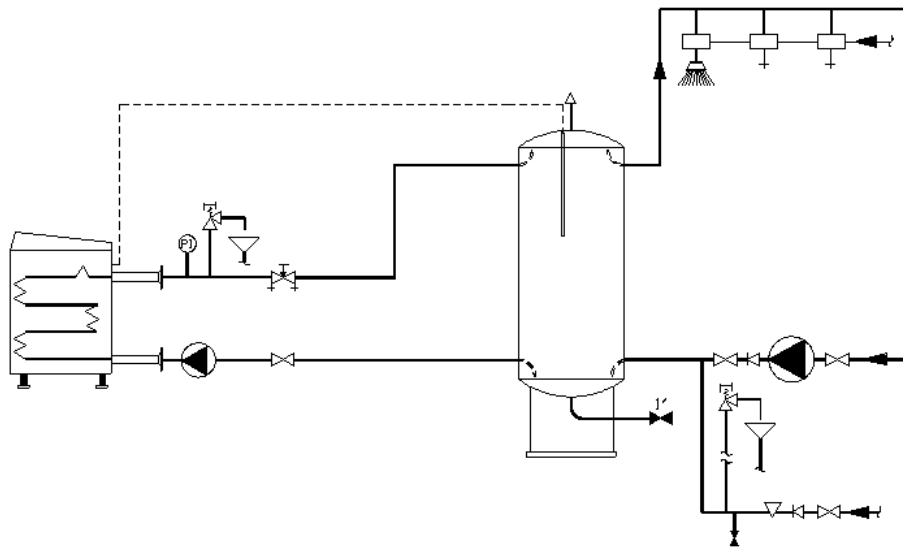


# Anlagenbeispiele

Die folgende Beispiele zeigen nur die Anwendungsmöglichkeiten mit den R600 Brauchwasser- und Schwimmbadkesseln. Diese Beispiele dürfen nicht in einem Projekt eingesetzt werden ohne die Auslegung der Anlage zuerst von einem Spezialisten beurteilen zu lassen.

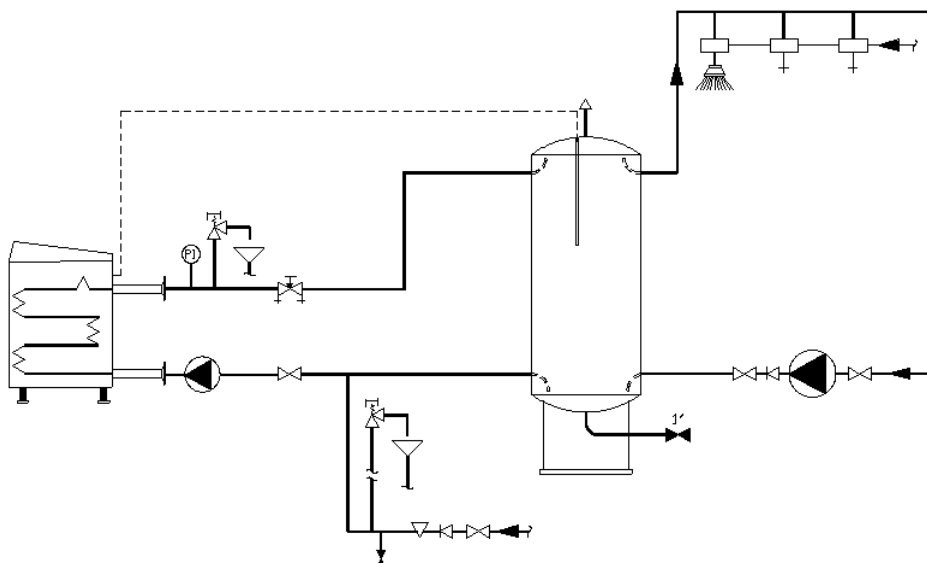
## System 1: Brauchwasserkessel mit Pufferspeicher (1)

Brauchwasserkessel angeschlossen an einem Pufferspeicher, Kaltwasseranschluss angeschlossen am Rücklaufanschluss des Speichers. Dies ist der meist gängige Anlage bei Anwendung eines Brauchwasserkessels. Die Kaltwasseranschluss am Rücklauf des Speichers führt zu weniger Start/Stop Zyklen des Brauchwasserkessels und realisiert ein stabiles Temperaturverhalten im Brauchwassersystem.



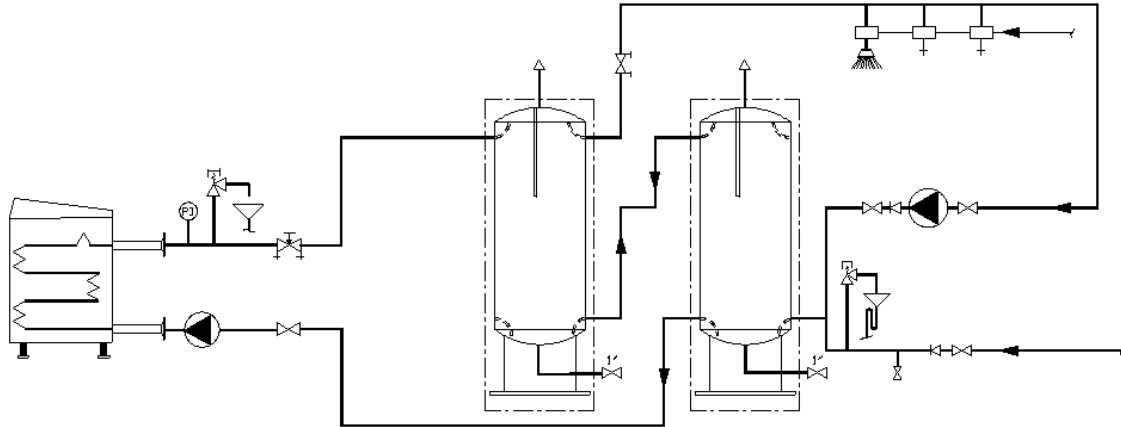
## System 2: Brauchwasserkessel mit Pufferspeicher (2)

Brauchwasserkessel angeschlossen an einem Pufferspeicher, Kaltwasseranschluss angeschlossen am Rücklaufanschluss des Kessels. Diese Anlage ist nur anwendbar bei einer konstanten Wärmeabnahme, zeitlich sehr unterschiedliche Abnahmemengen führen unmittelbar zu viele Start/Stop Zyklen und ein unstabiles Temperaturverhalten im Brauchwassersystem.



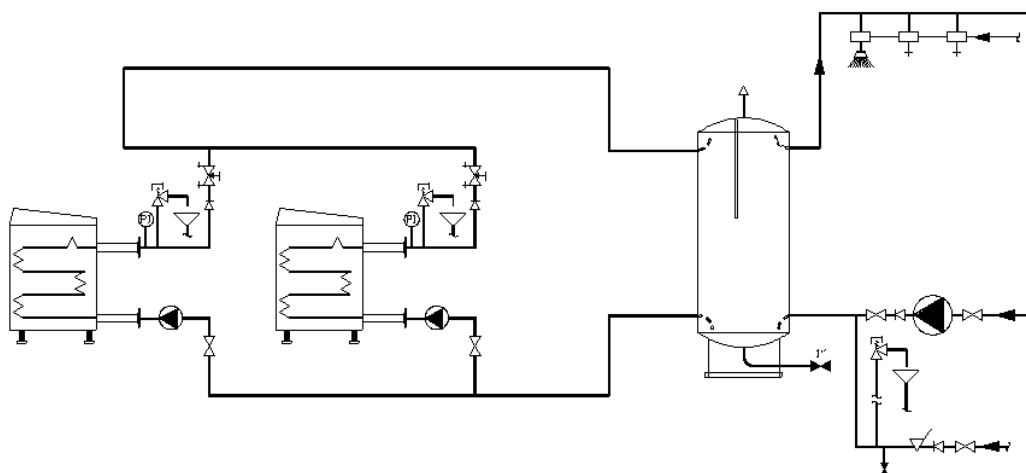
### System 3: Brauchwasserkessel mit grossem Puffer

Bei kurzfristige, aber grossvolumige Wärmeabnahme ist es sinnvoll einen grossen Puffer (oder mehrere kleine Puffer in Serie geschaltet) in Kombination mit einem kleinen Brauchwasserkessel zu installieren. Die Leistung des Kessels wird bestimmt von der maximal verfügbare Ladezeit des Puffers.



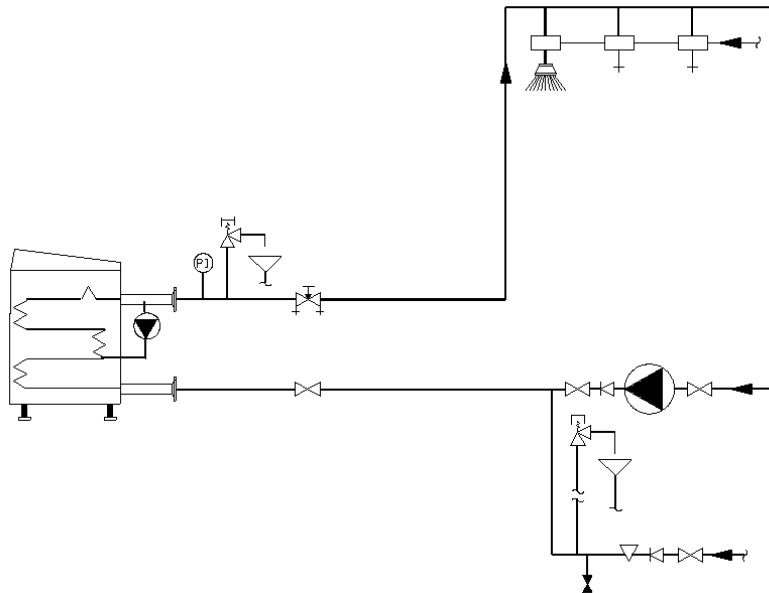
### System 4: Brauchwasserkessel in kaskade

Bei konstante grossvolumigen Wärmeabnahme ist es sinnvoll eine grössere Kesselleistung (oder mehrere kleinere Leistungen in kaskade) in Kombination mit kleinem Puffer zu installieren. Der Puffer reicht nur aus um die Wärmeanforderung während der Startphase des Kessels zu liefern, nachdem liefert die installierte Kesselleistung die komplett benötigte Wärme.



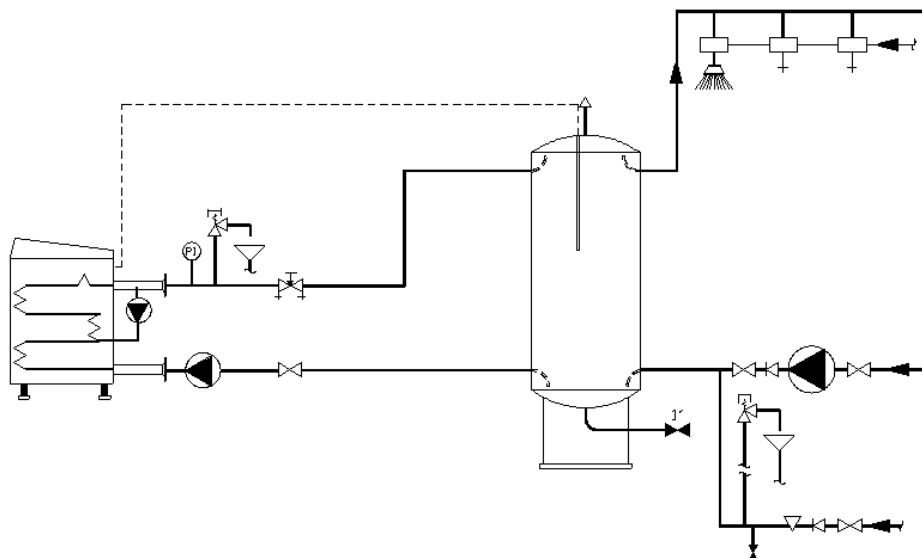
### System 5: Bypasskessel

Dieses System wird hauptsächlich angewendet für Brauchwasserversorgung für industrielle Prozessen. Der Bypasskessel kann eingesetzt werden ohne Puffer, da die integrierten Bypasspumpe den minimal benötigten Volumenstrom durch den Brauchwasserkessel sicherstellt. Der Bypasskessel kann eine Temperaturerhöhung von mehr als 17K (standard Brauchwasserkessel) pro Durchgang erzielen. Das Kapitel "Hydraulische Einbindung" beinhaltet eine Tabelle mit Werten der Volumenstrom in Abhängigkeit der  $\Delta T$ .



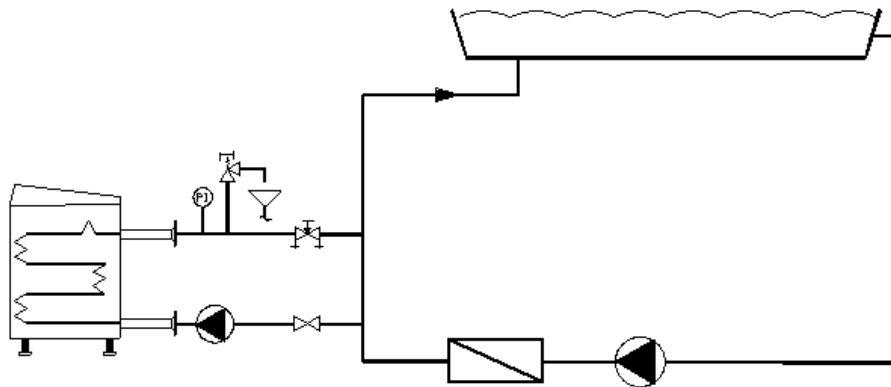
### System 6: Bypasskessel mit Pufferspeicher

Dieses System wird hauptsächlich angewendet für Brauchwasserversorgung für industrielle Prozessen mit höherem  $\Delta T$  als 17K, aber ohne konstante Wärmeanforderung. Ohne Puffer würde der Bypasskessel viel Start/Stopp Zyklen fahren und ein unstabiles Regelverhalten haben.



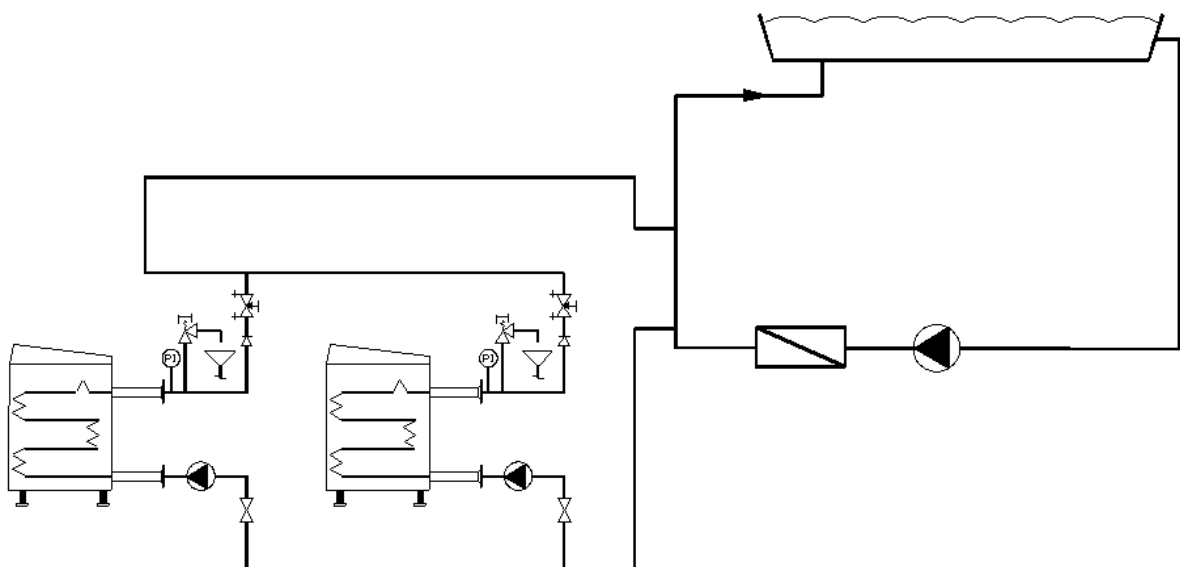
### System 7: Schwimmbadkessel

Der R600 Schwimmbadkessel wird parallel am Schwimmbadsystem installiert, im Leitungsteil nach der Filtrierung zum Schwimmbad. Der Schwimmbadkessel heizt nur ein Teil der gesamten Volumenstrom zum Schwimmbad, es entsteht eine Mischtemperatur im Vorlauf zum Schwimmbad.



### System 8: Schwimmbadkessel in kaskade

Die beide R600 Schwimmbadkessel werden ebenso parallel am Schwimmbadsystem installiert. Wichtig ist, dass die Kessel derartig installiert werden, dass beide Kessel die gleiche Volumenstrom bekommen. Dies wird erzielt über entweder ein Regelventil oder durch anschliessen der Kessel mittels Tichelmann-System.



## Zubehör

Für die R600 Brauchwasser- und Schwimmbadkessel ist das folgende Zubehört erhältlich:

### Brauchwasserkessel:

- Option Set Pumpe und Edelstahl Anschlussflanschen, Sicherheitsventil und Manometer.

Anschlussmass Komponenten							
	R601	R602	R603	R604	R605	R606	R607
Sicherheitsventil	Rp 1.1/4"						
Manometer	R 1/4"						
Pumpe	G2"	DN32	DN40	DN40	DN50	DN65	DN65
Flansch	-	1.1/4"	1.1/2"	1.1/2"	2"	2.1/2"	2.1/2"

### Bypasskessel:

- Option Set mit Sicherheitsventil und Manometer.

Anschlussmass Komponenten							
	R601	R602	R603	R604	R605	R606	R607
Sicherheitsventil	Rp 1.1/4"						
Manometer	R 1/4"						

### Schwimmbadkessel:

- Option Set mit Pumpe, Sicherheitsventil und Manometer.

Anschlussmass Komponenten							
	R601	R602	R603	R604	R605	R606	R607
Sicherheitsventil	Rp 1.1/4"			Rp 1.1/2"			
Manometer	R 1/4"						
Pumpe ein	Rp 1.1/2"				Rp 2"		
Pumpe aus	Rp 1.1/4"				Rp 1.1/2"		

Fragen Sie Ihren Lieferanten für zusätzliche Information über Zubehör.

**R600 IP/ZW**



**Technische documentatie**  
Tapwater- en zwembadketel

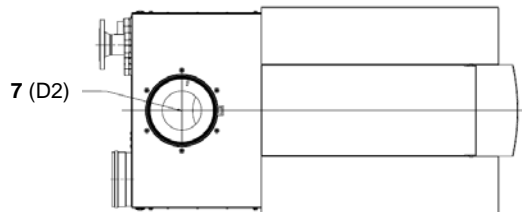
# Technische gegevens

		R601	R602	R603	R604	R605	R606	R607	
Nominaal vermogen bij 80-60°C max/min*	kW	142.1/23.3	190.1/39.5	237.2/39.5	285.2/39.5	380.2/76.6	475.3/76.6	539.0/76.6	
Nominaal vermogen bij 75-60°C max/min*	kW	142.2/23.5	190.3/39.5	237.4/39.5	285.5/39.5	380.6/76.6	475.8/76.6	539.6/76.6	
Nominaal vermogen bij 40/30°C max/min*	kW	150.7/26.7	201.6/45.2	251.4/45.1	302.3/45.2	403.1/87.7	503.9/87.7	571.5/87.7	
Nominale belasting Hi max/min*	kW	145.0/24.5	194.0/41.5	242.0/41.5	291.0/41.5	388.0/80.5	485.0/80.5	550.0/80.5	
Rendement bij 80/60°C max/min	%	98.0							
Rendement bij 40/30°C max/min	%	103.9							
Jaarrendement (NNG 75/60°C)	%	106.8							
Jaarrendement (NNG 40/30°C)	%	110.4							
Stilstandsverliezen (T <sub>water</sub> = 70°C)	%	0.21	0.18	0.17	0.16	0.15	0.14	0.13	
Max. hoeveelheid condensaat	l/h	11	15	19	22	30	37	42	
Gasverbruik H-gas max/min (10,9 kWh/m <sup>3</sup> )	m <sup>3</sup> /h	13.3/2.3	17.8/3.8	22.2/3.8	26.7/3.8	35.6/7.4	44.5/7.4	50.5/7.4	
Gasverbruik L-gas max/min (8,34 kWh/m <sup>3</sup> )	m <sup>3</sup> /h	17.4/2.9	23.2/5.0	29.0/5.0	34.9/5.0	46.5/9.7	58.2/9.7	66.0/9.7	
Gasverbruik LL-gas max/min (8,34 kWh/m <sup>3</sup> )	m <sup>3</sup> /h	17.4/2.9	23.2/5.8	29.0/5.8	34.9/5.8	46.5/11.2	58.2/11.2	66.0/11.2	
Gasverbruik Propaan max/min (12,8 kWh/kg)	kg/h	11.3/1.9	15.2/3.2	18.9/3.2	22.7/3.2	30.3/6.3	37.9/6.3	43.0/6.3	
Gasdruk H-gas	mbar	20							
Gasdruk L/LL-gas	mbar	25							
Gasdruk propaan	mbar	30/50							
Maximale gasdruk	mbar	100							
Rookgastemperatuur bij 80/60°C max/min	°C	78/61							
Rookgastemperatuur bij 40/30°C max/min	°C	56/30							
Rookgashoeveelheid max/min*	m <sup>3</sup> /h	238/40	318/69	397/69	477/69	636/134	795/134	901/134	
CO <sub>2</sub> instelling aardgas H/L/LL max/min	%	10.2/9.4							
CO <sub>2</sub> instelling propaan max/min	%	11.9/10.0							
NO <sub>x</sub> waarde max/min	mg/kWh	35/15							
CO waarde max/min	mg/kWh	14/8							
Max. toelaatbare schoorsteenweerstand max/min	Pa	160/10	160/10	200/10	200/10	200/10	250/10	250/10	
Watervolume	l	27	31	35	61	68	75	82	
Waterdruk max/min	bar	8/1							
Electrische aansluiting	V	230/400							
Frequentie	Hz	50							
Zekering	A	10							
IP klasse	-	IP20							
Opgenomen vermogen ketel max/min (excl. pomp)	W	158/43	200/35	230/35	260/35	470/61	650/61	770/61	
Opgenomen vermogen tapwaterpomp (optie)	W	245	340	470	470	720	1150	1550	
Opgenomen vermogen tapwater-bypasspomp	W	245	245	245	245	380	460	530	
Opgenomen vermogen zwembadpomp (optie)	W	550	900	1500	1100	2200	3000	3000	
Gewicht (leeg)	kg	295	345	400	465	535	590	650	
Geluidsniveau op 1 m afstand	dB(A)	59							
Minimale ionisatiestroom	µA	6							
PH waarde condensaat	-	3.2							
CE registratienummer	-	CE-0063BS3840							
Watersaansluitingen	-	R2"				DN65 PN16			
Gasaansluiting	-	R3/4"	R1"			R1.1/2"			
Rookgasaansluiting	mm	150		200		250			
Luchtinlaat (voor toepassing als gesloten toestel)	mm	130	150			200			
Condensaataansluiting	mm	22							

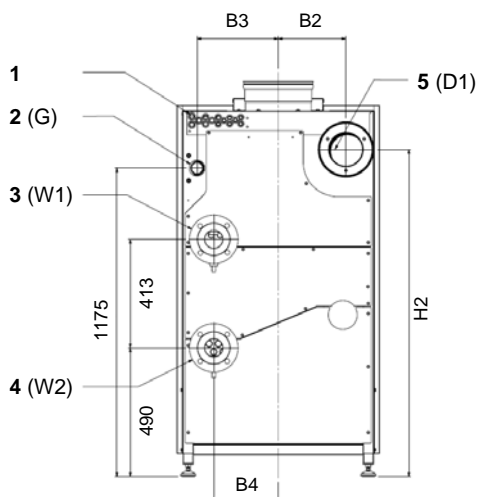
\* min vermogen bij gassoorten H/L/Propaan. Voor typen R602-R607 bij gassoort LL is min vermogen 15% hoger.

## Afmetingen (tapwater- en zwembadketel)

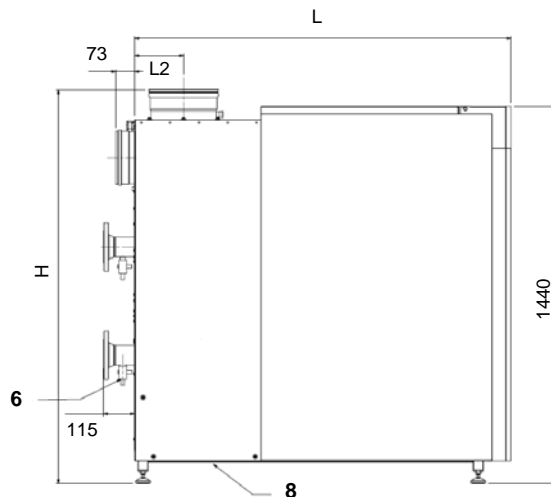
Bovenaanzicht



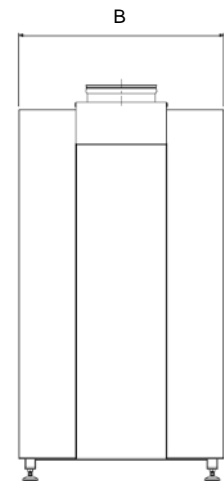
Achteraanzicht



Zijaanzicht



Vooraanzicht



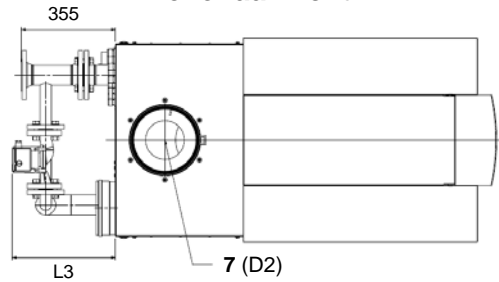
Afmetingen		R601	R602	R603	R604	R605	R606	R607
L	mm	1105	1260	1470	1220	1435	1585	1735
L2	mm	127.5	127.5	137.5	137.5	187.5	187.5	187.5
H	mm	1480	1480	1500	1500	1500	1500	1500
H2	mm	1120	1130	1130	1150	1245	1245	1245
B	mm	670	670	670	770	770	770	770
B2	mm	225	235	235	235	260	260	260
B3	mm	260	260	260	310	310	310	310
B4	mm	130	130	130	245	245	245	245
D1	mm	130	150	150	150	200	200	200
D2	mm	150	150	200	200	250	250	250
W1	R" / DN	R2"	R2"	R2"	DN65 PN16			
W2	R" / DN	R2"	R2"	R2"	DN65 PN16			
G	R	R3/4"	R1"	R1"	R1"	R1 1/2"		

- 1 Elektrische aansluitingen
- 2 Gas aansluiting
- 3 Water aanvoer
- 4 Water retour
- 5 Luchtinlaat
- 6 Vul/aftapkraan
- 7 Rookgasafvoer
- 8 Condensafvoer  
flexibele slang 25mm diam.

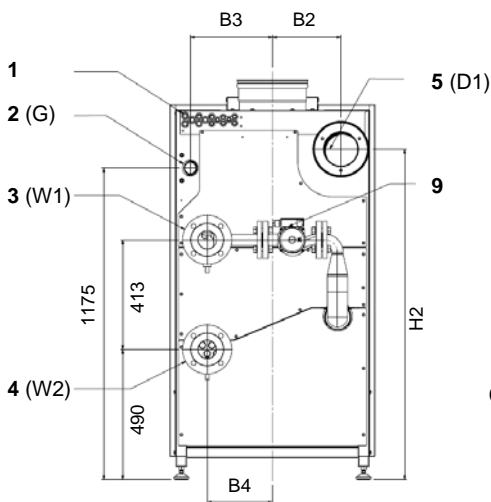


# Afmetingen (Tapwater-bypassketel)

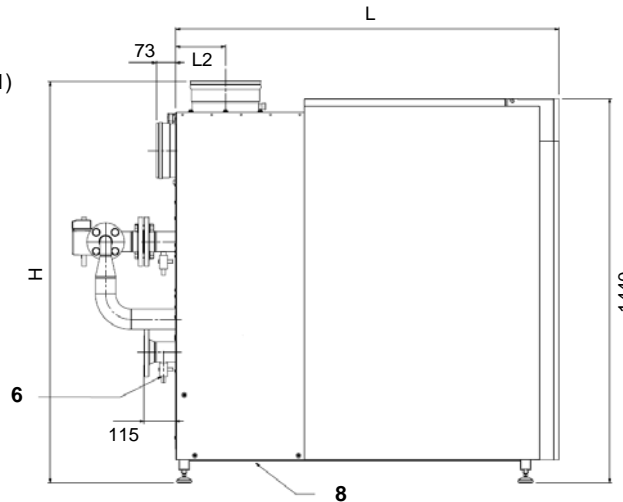
**Bovenaanzicht**



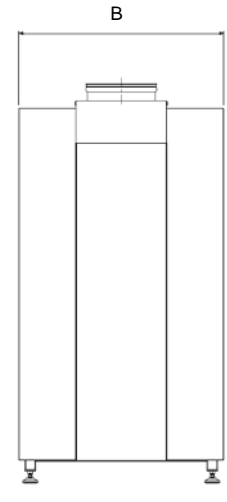
**Achteraanzicht**



**Zijaanzicht**



**Vooraanzicht**



Afmetingen		R601	R602	R603	R604	R605	R606	R607
L	mm	1105	1260	1470	1220	1435	1585	1735
L2	mm	127.5	127.5	137.5	137.5	187.5	187.5	187.5
L3	mm	425	425	425	390	390	510	510
H	mm	1480	1480	1500	1500	1500	1500	1500
H2	mm	1120	1130	1130	1150	1245	1245	1245
B	mm	670	670	670	770	770	770	770
B2	mm	225	235	235	235	260	260	260
B3	mm	260	260	260	310	310	310	310
B4	mm	130	130	130	245	245	245	245
D1	mm	130	150	150	150	200	200	200
D2	mm	150	150	200	200	250	250	250
W1	R" / DN	R2"	R2"	R2"	DN65 PN16			
W2	R" / DN	R2"	R2"	R2"	DN65 PN16			
G	R	R3/4"	R1"	R1"	R1"	R1 1/2"		

- 1 Elektrische aansluitingen
- 2 Gas aansluiting
- 3 Water aanvoer
- 4 Water retour
- 5 Luchtinlaat
- 6 Vul/aftapkraan
- 7 Rookgasafvoer
- 8 Condensafvoer  
flexibele slang 25mm diam.
- 9 Bypasspomp

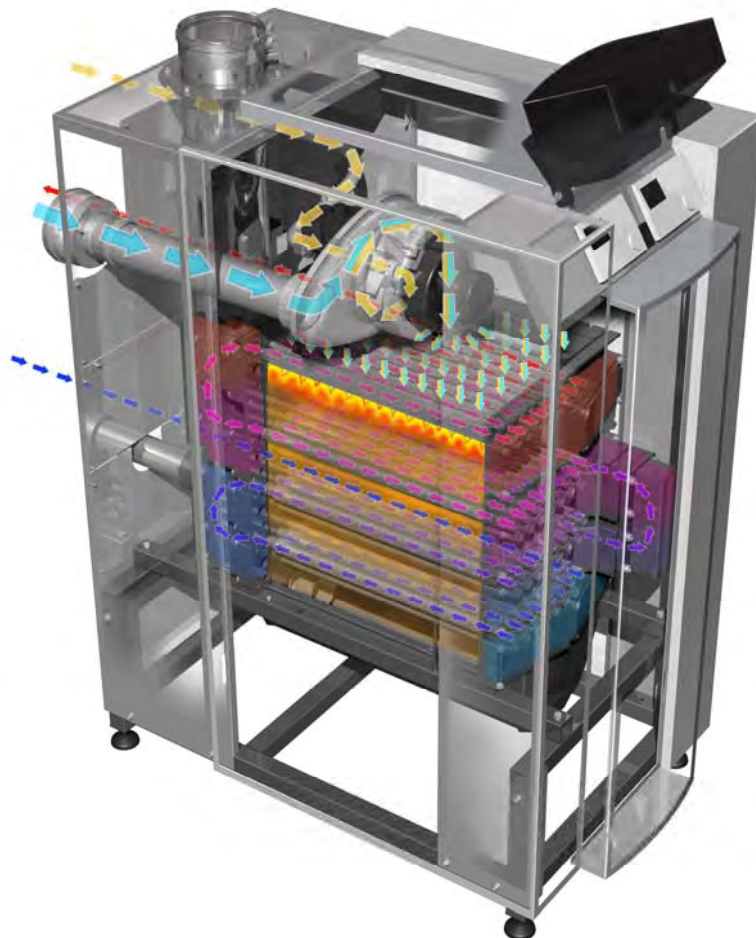
## Algemeen

Deze documentatie is bedoeld als aanvulling op de R600, wanneer men beschikt over een R600 tapwater- of zwembadketel. Deze documentatie bevat enkel de verschillen in constructie en toepassing ten opzichte van de R600 CV-uitvoering. Algemene informatie over het toestel (transport, inbedrijfname, onderhoud, etc.) is te vinden in de basisdocumentatie.

## Technische beschrijving

De R600 tapwater- en zwembadketels zijn geschikt voor het direct verwarmen van sanitair warmwater resp. zwembadwater zonder toepassing van systeemscheiding (bv. platenwarmtewisselaar) in het systeem.

Deze speciale uitvoering binnen de R600 ketelserie is identiek aan de CV-uitvoering, met uitzondering van de waterverdeelstukken van de warmtewisselaar. Deze zijn gemaakt van roestvast staal in plaats van gietijzer. Hiermee is het toestel waterzijdig volledig uit RVS opgebouwd, en is het mogelijk om sanitair warmwater resp. zwembadwater direct door het toestel te laten stromen.



# Waterkwaliteit

## Tapwaterketel

Aangezien er constant vers (leiding)water door een tapwaterketel stroomt, is de waterhardheid en de daaraan gekoppelde maximale aanvoertemperatuur van groot belang. De volgende tabel geeft de maximale aanvoertemperatuur van het toestel bij verschillende hardheidswaarden. Het niet respecteren van deze waarden kan leiden tot onherstelbare schade aan de warmtewisselaar.

Maximale aanvoertemperatuur bij verschillende waterhardheid				
Water hardheid		Max. gew. waarde (P1)	Temp. begrenzer	Max. thermostaat
[°dH]	[°f]	[°C]	[°C]	[°C]
0 - 5	0 - 9	90	97	100
5 - 15	9 - 27	85	92	95
15 - 20	27 - 36	80	87	90
20 - 28	36 - 50	60	67	70

## Zwembadketel

De aanvoertemperatuur van een zwembadketel mag 57°C niet overschrijden, in verband met mogelijke kalkafzetting in de warmtewisselaar door het grote watervolume van het zwembad. Ter beveiliging van de ketel is de maximaalthermostaat afgesteld op 52 °C, de maximale gewenste waarde is af fabriek ingesteld op 36°C.

## Tapwaterhoeveelheden (alleen voor tapwaterketel)

De volgende tabel geeft de tapwaterhoeveelheden bij verschillende aanvoertemperaturen weer, gebaseerd op een ingangstemperatuur van 10°C van het koude (leiding)water.

Tapwaterhoeveelheden (koud water = 10°C)							
	Verm.	volume @50°C	volume @60°C	volume @65°C	volume @70°C	volume @80°C	volume @90°C
	[kW]	[l/min]	[l/min]	[l/min]	[l/min]	[l/min]	[l/min]
R601	142	51.1	40.8	37.1	34.0	29.2	25.5
R602	190	68.3	54.7	49.7	45.5	39.0	34.2
R603	237	85.2	68.2	62.0	56.8	48.7	42.6
R604	285	102.5	82.0	74.5	68.3	58.6	51.2
R605	380	136.6	109.3	99.4	91.1	78.1	68.3
R606	475	170.8	136.6	124.2	113.9	97.6	85.4
R607	539	193.8	155.0	141.0	129.2	110.7	96.9

## Hydraulische aansluiting

### Tapwaterketel

De R600 tapwaterketel dient zodanig geïnstalleerd te worden, dat een minimale volumestroom van 30% van de nominale volumestroom te allen tijde gegarandeerd kan worden wanneer de brander is ingeschakeld. De R600 tapwaterketel verhoogt de watertemperatuur met maximaal 17K per doorgang. Dit betekent, dat het water meerdere malen door het toestel moet stromen wanneer het van bv. 10°C naar 60°C verwarmd moet worden (3 maal).

Om dit te bereiken wordt een R600 tapwaterketel normaal gesproken geïnstalleerd in combinatie met een voorraadvat. De circulatie van de water van het vat naar de ketel en vice versa wordt gerealiseerd door de ketelpomp (optie).

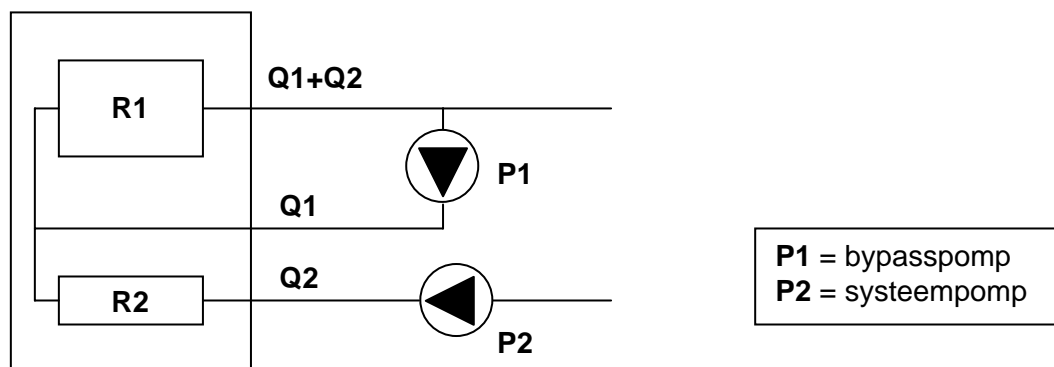
De volgende tabel geeft de nominale stromingsgegevens bij een  $\Delta T$  van 17K en de pompgegevens van de (optionele) pomp set voor elk keteltype.

Gegevens waterstroming tapwaterketel								
	$\Delta T$	Nominale volumestroom	Ketelweerstand	Pomptype	Spanning	Curve inst.	Opvoerhoogte	Restopvoerhoogte
	[K]	[m <sup>3</sup> /h]	[kPa]	[-]	[V]	[-]	[kPa]	[kPa]
R601	17	7.2	14	UPS 32-80B	230	3 -	34 -	20 -
R602		9.5	25	UPS 32-120FB	230	3 2	61 30	36 5
R603		12.0	39	UPS 40-120FB	230	3 2	64 48	25 9
R604		14.4	21	UPS 40-120FB	230	3 2	50 30	29 9
R605		19.2	37	UPS 50-120FB	400	3 2	64 47	27 10
R606		24.0	58	UPS 65-120FB	400	3 -	76 -	18 -
R607		27.2	76	UPS 65-180FB	400	3 -	104 -	28 -

## Tapwater-bypassketel

Wanneer een temperatuurverhoging van meer dan 17K in één keer noodzakelijk is, kan gekozen worden voor een tapwaterketel met geïntegreerde bypass. De geïntegreerde bypasspomp zorgt voor de minimale volumestroom door de ketel ter bescherming van de warmtewisselaar.

Bij een tapwater-bypassketel transporteert de interne bypasspomp geen water naar het systeem. Hiervoor dient een separate systeempomp te worden geselecteerd, afgestemd op de gewenste  $\Delta T$  van het systeem. Hieronder is de toepassing schematisch weergegeven, inclusief twee tabellen met de noodzakelijke informatie ten behoeve van de selectie van de systeempomp. In de tabellen is reeds rekening gehouden met een extra systeemweerstand van 10 kPa.



Gegevens bypasspomp									
		R601	R602	R603	R604	R605	R606	R607	
Pomptype	[-]	UPS 32-80B	UPS 32-80B	UPS 32-80B	UPS 32-80B	UPS 32-120FB	UPS 40-120FB	UPS 50-120FB	
Spanning	[V]	230	230	230	230	230	230	400	
$\Delta T = 40K$	Curve instelling	[-]	2	2	3	3	1	1	
$\Delta T = 50K$			2	3	3	3	2	2	2
$\Delta T = 55K$			2	3	3	3	2	2	2
$\Delta T = 60K$			2	3	3	3	3	2	2
$\Delta T = 70K$			2	3	3	3	3	3	2
$\Delta T = 80K$			2	3	3	3	3	3	2

Ontwerpgegevens systeempomp									
		R601	R602	R603	R604	R605	R606	R607	
$\Delta T = 40K$	Volumestroom	[m <sup>3</sup> /h]	3.1	4.1	5.1	6.1	8.2	10.2	11.6
	Benodigde opvoerh.	[kPa]	35.5	28.9	57.3	50.7	42.3	49.0	60.6
$\Delta T = 50K$	Volumestroom	[m <sup>3</sup> /h]	2.4	3.2	4.1	4.9	6.5	8.2	9.2
	Benodigde opvoerh.	[kPa]	30.3	58.5	50.8	44.4	40.8	56.3	64.6
$\Delta T = 55K$	Volumestroom	[m <sup>3</sup> /h]	2.2	2.9	3.7	4.4	5.9	7.4	8.4
	Benodigde opvoerh.	[kPa]	27.3	56.4	48.7	41.4	34.7	53.0	61.4
$\Delta T = 60K$	Volumestroom	[m <sup>3</sup> /h]	2.0	2.7	3.4	4.1	5.4	6.8	7.7
	Benodigde opvoerh.	[kPa]	26.2	55.4	46.6	39.3	58.6	47.9	69.1
$\Delta T = 70K$	Volumestroom	[m <sup>3</sup> /h]	1.7	2.3	2.9	3.5	4.7	5.8	6.6
	Benodigde opvoerh.	[kPa]	24.2	52.3	44.4	35.2	51.4	61.6	66.8
$\Delta T = 80K$	Volumestroom	[m <sup>3</sup> /h]	1.5	2.0	2.6	3.1	4.1	5.1	5.8
	Benodigde opvoerh.	[kPa]	22.1	50.2	40.3	30.2	45.3	53.5	65.6

## Zwembadketel

De R600 zwembadketel dient parallel aan het zwembadsysteem aangesloten te worden, in de aanvoer naar het zwembad ná de filterinstallatie. De R600 zwembadketel verhoogt de watertemperatuur met maximaal 15K per doorgang.

Aangezien een zwembad een open systeem is, met nauwelijks tot geen statische waterdruk, is het noodzakelijk om een minimale druk van 0,5 bar te creëren met behulp van een regelventiel in de aanvoerleiding van de ketel.

De volgende tabel geeft de nominale stromingsgegevens bij een  $\Delta T$  van 15K en de pompagegevens van de (optionele) pomp set voor elk keteltype.

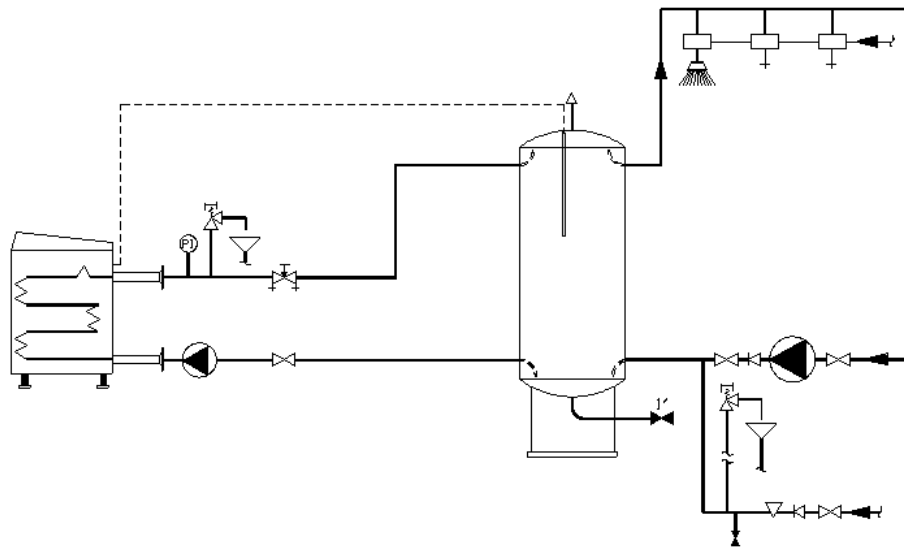
Gegevens waterstroming zwembadketel								
	$\Delta T$	Nominale volumestroom	Ketelweerstand	Benodigde statische druk	Pomptype	Spanning	Opvoerhoogte	Restopvoerhoogte
	[K]	[m <sup>3</sup> /h]	[kPa]	[kPa]	[-]	[V]	[kPa]	[kPa]
R601	15	8.1	18	50	COM350/05	230	90	22
R602		10.8	32	50	COM350/09	230	110	28
R603		13.6	50	50	COM350/15	230	145	45
R604		16.3	27	50	COM350/11	230	102	25
R605		21.7	48	50	CO500/22	400	140	42
R606		27.2	75	50	CO500/30	400	161	36
R607		30.8	98	50	CO500/30	400	151	3

## Systemvoorbeelden

De volgende voorbeelden zijn uitsluitend bedoeld om een indicatie te geven van de toepassingsmogelijkheden van de R600 tapwater- en zwembadketels. Deze voorbeelden kunnen niet in de praktijk worden toegepast zonder verdere analyse van de projectsituatie door een gecertificeerd bedrijf.

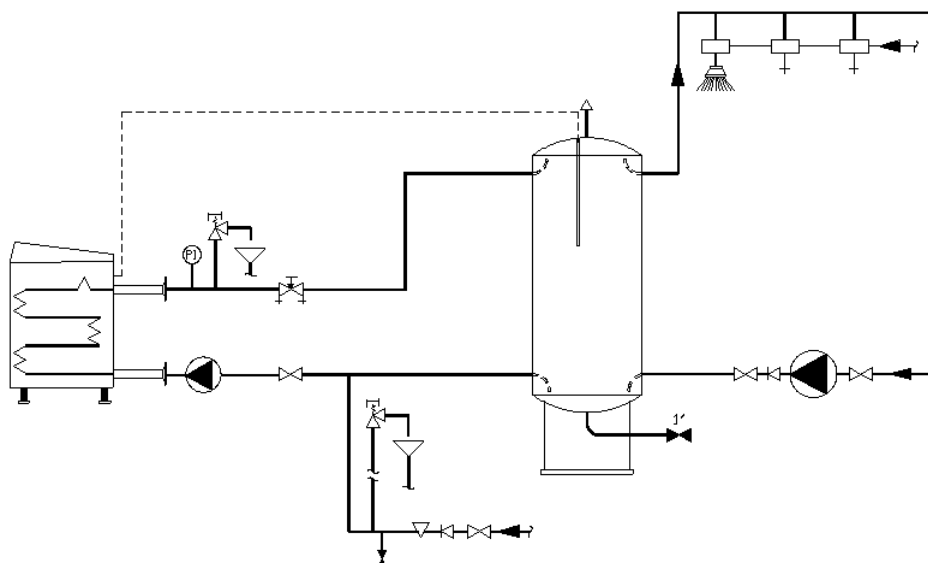
### Systeem 1: tapwaterketel met voorraadvat (1)

Tapwaterketel aangesloten op voorraadvat, koudwateraansluiting op retouraansluiting van het voorraadvat. Dit is de meest gebruikte methode van installeren van een tapwaterketel. Door het aansluiten van de koudwateraansluiting op het voorraadvat worden veelvuldige starts en stops door de tapwaterketel voorkomen en ontstaat een stabiele tapwatertemperatuur in het systeem.



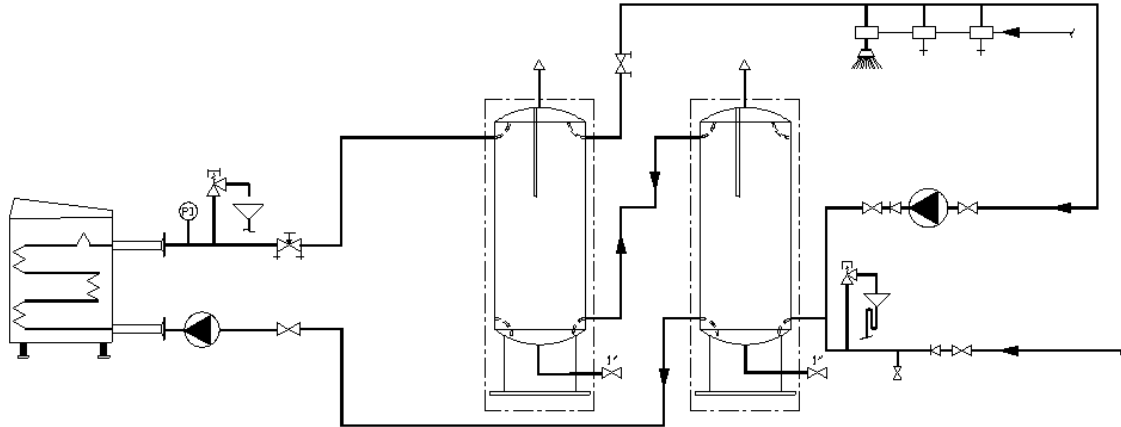
### Systeem 2: tapwaterketel met voorraadvat (2)

Tapwaterketel aangesloten op voorraadvat, koudwateraansluiting op retouraansluiting van de tapwaterketel. Dit systeem kan alleen worden toegepast bij constante warmwaterafname, piekafnames leiden tot een grote hoeveelheid starts en stops van de tapwaterketel.



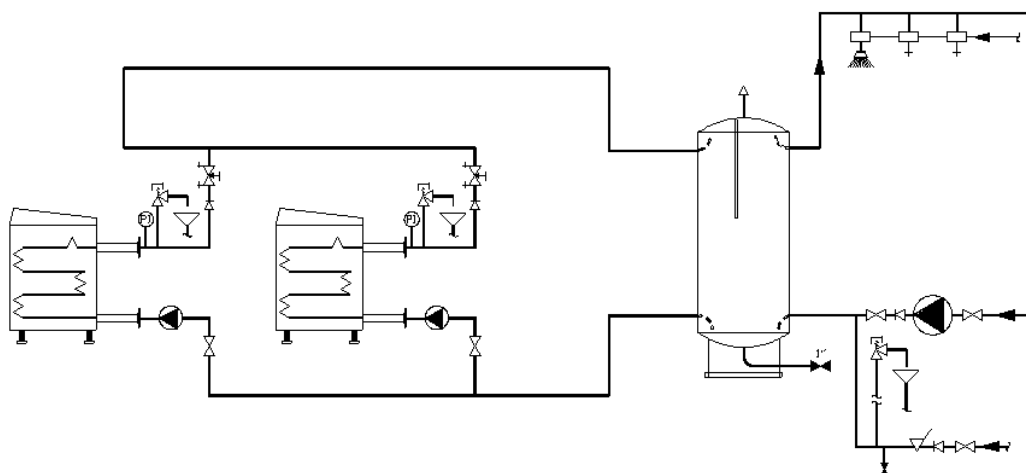
### Systeem 3: tapwaterketel met groot voorraadvat

Bij systemen met tijdelijke piekafnames is het zinvol om een groot voorraadvat (of meerdere kleine vaten in serie) te combineren met een tapwaterketel met laag vermogen. Het vermogen van de tapwaterketel wordt enkel bepaald door de maximaal beschikbare oplaadtijd van het voorraadvat.



### Systeem 4: tapwaterketel in cascade

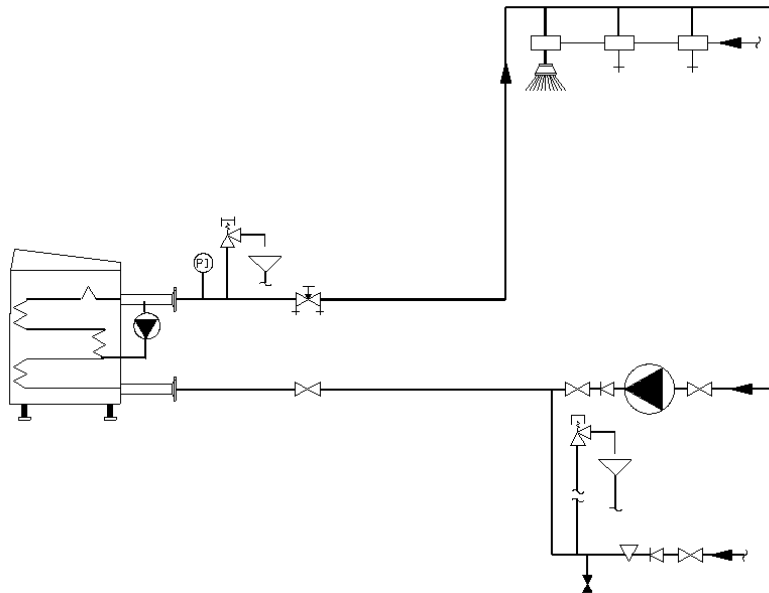
Bij systemen met een constante, hoge warmwaterafname is het zinvol om een groot vermogen tapwaterketel (of meerdere ketels in cascade) te combineren met een klein voorraadvat. Het voorraadvat vangt enkel de warmwatervraag tijdens het opstarten van de ketel(s) op, daarna wordt de totale warmwatervraag direct door de ketel(s) geleverd.





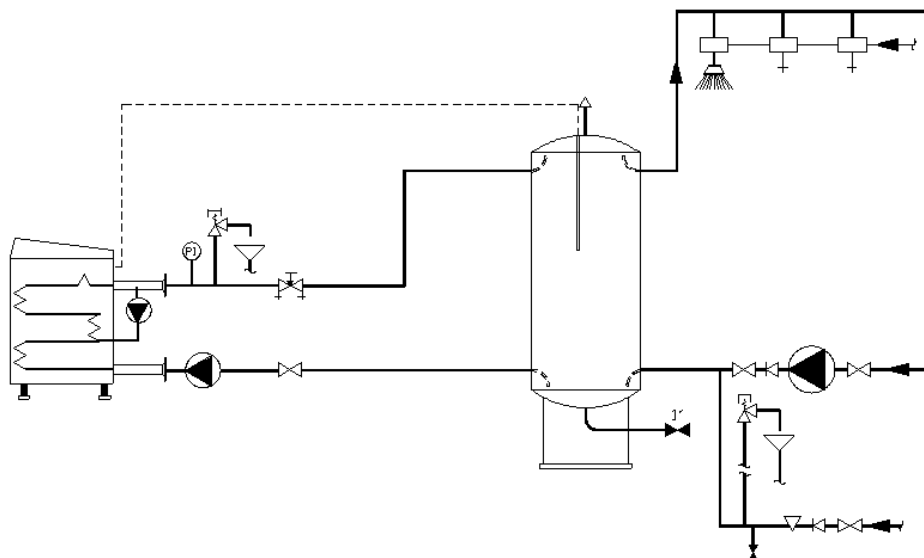
### System 5: tapwater-bypassketel

Dit systeem wordt vooral gebruikt in industriële processen met een constante warmwaterafname. De tapwater-bypassketel kan worden toegepast zonder gebruik van een voorraadvat, aangezien de interne bypasspomp voor de minimaal benodigde volumestroom door de ketel zorgt. De tapwater-bypassketel kan de watertemperatuur met meer dan 17K (standaard tapwaterketel) per doorgang verhogen. In het hoofdstuk "Hydraulische aansluiting" zijn de maximale tapwaterhoeveelheden bij verschillende  $\Delta T$ -waarden te vinden.



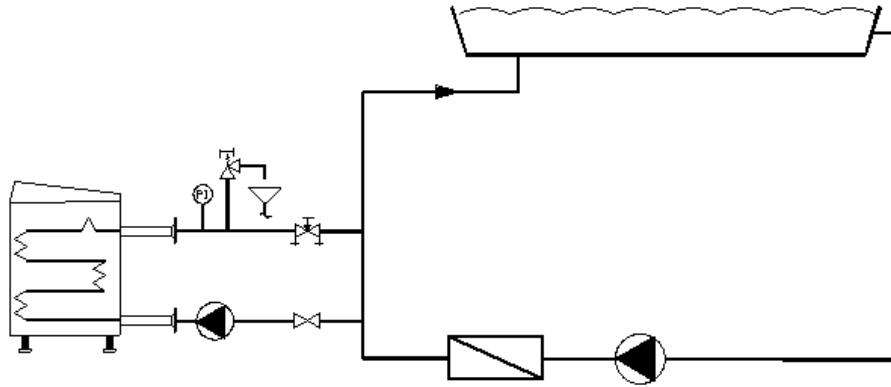
### System 6: tapwater-bypassketel met voorraadvat

Dit systeem wordt vooral gebruikt in industriële processen, wanneer een temperatuurverhoging van meer de 17K in één keer benodigd is, maar er geen constante afname is. Het voorraadvat voorkomt veelvuldige starts en stops en hierdoor een onrustig regelgedrag van de tapwater-bypassketel.



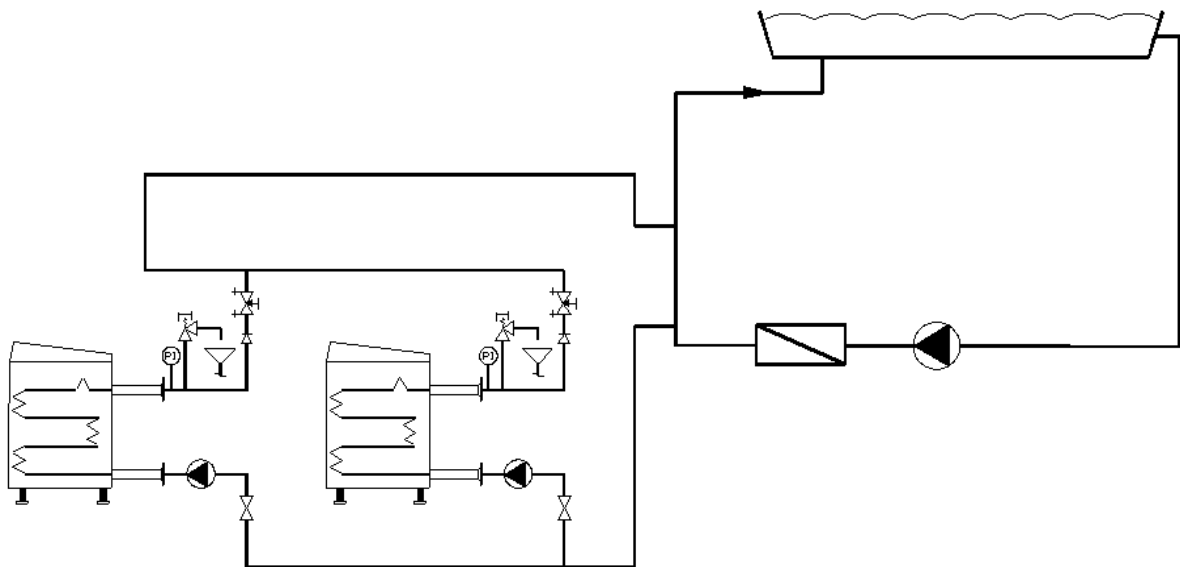
### Systeem 7: zwembadketel

De zwembadketel wordt parallel aan het zwembadsysteem geïnstalleerd, in de aanvoer naar het zwembad ná de filterinstallatie. De zwembadketel verwarmt slechts een deelstroom, vervolgens ontstaat een mengtemperatuur in de aanvoerleiding naar het zwembad.



### Systeem 8: zwembadketel in cascade

In deze situatie worden de zwembadketels eveneens parallel aan het zwembadsysteem geïnstalleerd. Het is belangrijk dat door beide ketels een gelijke waterhoeveelheid stroomt, dit kan gerealiseerd worden door inregelventielen of door het aansluiten van de ketels in Tichelmann-systeem.



## Toebehoren

Voor de R600 tapwater- en zwembadketels zijn de volgende toebehoren verkrijgbaar:

### Tapwaterketel:

- Optieset met pomp en roestvaststalen tegenflenzen, veiligheidsventiel en manometer.

Aansluitmaten componenten							
	R601	R602	R603	R604	R605	R606	R607
veiligheidsventiel	Rp 1.1/4"						
manometer	R 1/4"						
pomp	G2"	DN32	DN40	DN40	DN50	DN65	DN65
tegenflenzen	-	1.1/4"	1.1/2"	1.1/2"	2"	2.1/2"	2.1/2"

### Tapwater- bypassketel:

- Optieset met veiligheidsventiel en manometer.

Aansluitmaten componenten							
	R601	R602	R603	R604	R605	R606	R607
veiligheidsventiel	Rp 1.1/4"						
manometer	R 1/4"						

### Zwembadketel:

- Optieset met pomp, veiligheidsventiel en manometer.

Aansluitmaten componenten							
	R601	R602	R603	R604	R605	R606	R607
veiligheidsventiel	Rp 1.1/4"			Rp 1.1/2"			
manometer	R 1/4"						
pomp in	Rp 1.1/2"				Rp 2"		
pomp uit	Rp 1.1/4"				Rp 1.1/2"		

Vraag uw leverancier voor meer informatie over de verkrijgbare toebehoren.